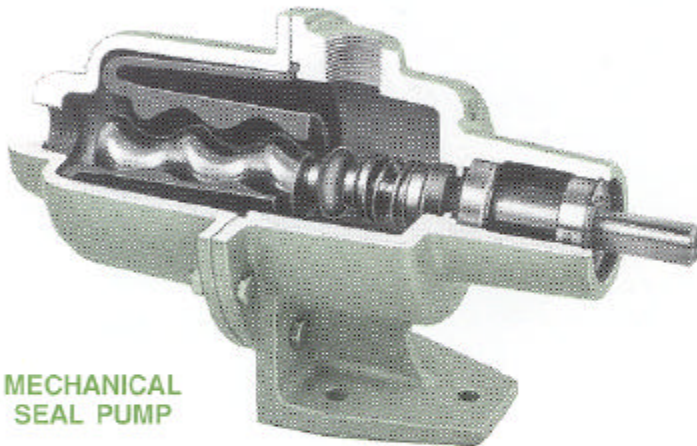


CONTINENTAL[®]

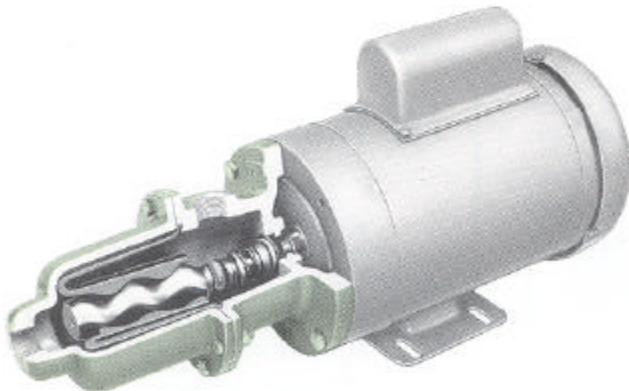
PROGRESSING CAVITY PUMPS

Fred C. Gilbert Co.
106 Norris Road
Bakersfield, Ca. 93308
661-399-9569
www.fcgilbert.com

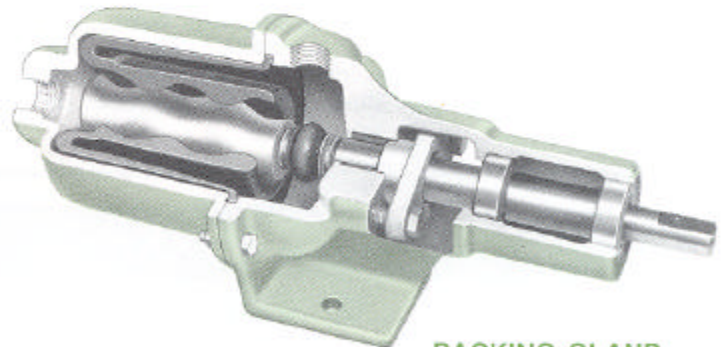


MECHANICAL
SEAL PUMP

ONLY
ONE MOVING
PART!



CLOSE COUPLED
MOTOR DRIVEN PUMP



PACKING GLAND
PUMP

Continental Pump Co.

CONTINENTAL®

PROGRESSING CAVITY PUMPS

Amazingly Versatile Units

FOR A WIDE VARIETY OF APPLICATIONS

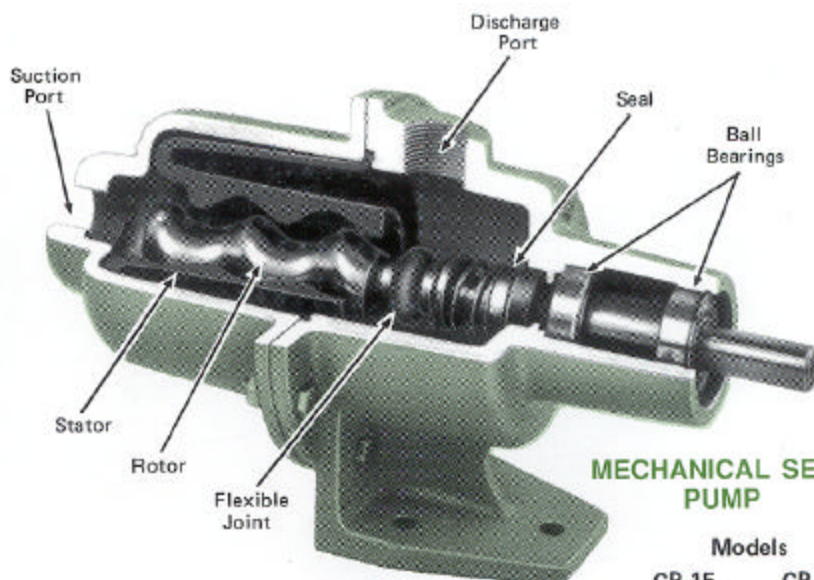
Revolutionary in design . . . yet simple and economical, their performance is outstanding on hundreds of different applications for industry, farm and home.

Proven for 35 years on the toughest pumping problems in industry this amazingly versatile pump is now available in compact, low-cost models for a wide range of uses.

The famed, time-tested and proven simple principle of a helical screw rotor—**ONLY ONE MOVING PART**—turning in a tough rubber stator provides positive displacement, is self-priming to as much as 25 feet of suction lift, has high reserve pressure, low internal turbulence, continuing uniform flow and freedom from air locking.

Properly applied these pumps will yield performance never before accomplished with other types.

Small in size, light in weight, easy to maintain, requiring no lubrication . . . **CONTINENTAL PUMPS** are ideal for many kinds of transferring, circulating, metering, filling, sprinkling, irrigating, drainage, and spraying jobs.



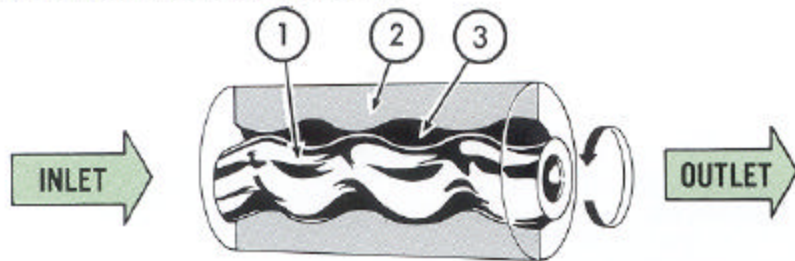
MECHANICAL SEAL PUMP

Models

CP-15	CP-44
CP-22	CP-56
CP-33	CP-67

HOW THEY WORK . . .

Rotor (1) turns within the flexible rubber stator (2) forming tightly sealed cavities (3) which move toward the discharge port, carrying the liquid. Pumping action starts the instant the Rotor turns. Liquid acts as the lubricant between the pumping elements.



THE PERFECT PUMP FOR:

- TRANSFERRING
- CIRCULATING
- SPRAYING
- SPRINKLING
- IRRIGATING
- DRAINING
- FILLING
- METERING
- SEWAGE
- WATER SYSTEMS
- WASHING
- CLEANING

Ideal for Handling

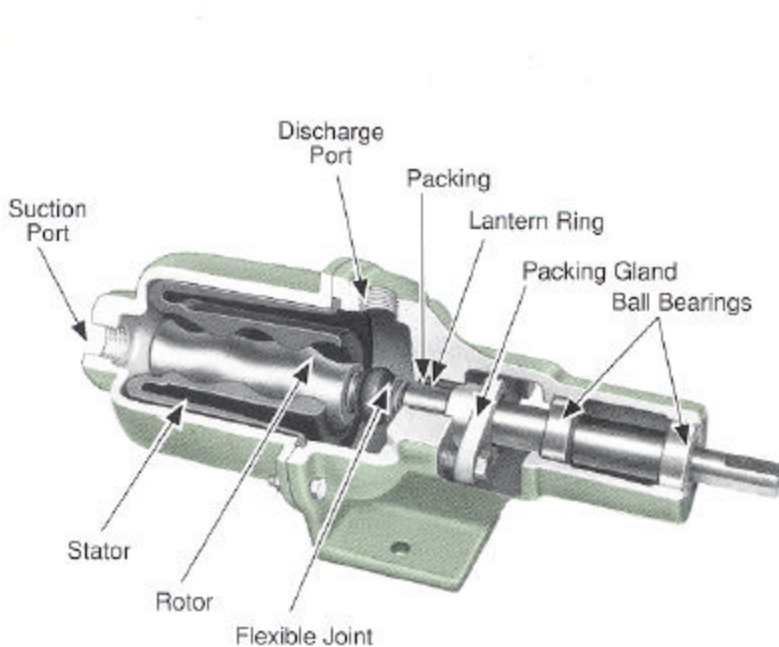
CLEAN WATER
DIRTY WATER (Slightly)
(Extremely)
HOT WATER
SALT WATER
SOAPY WATER
COLD WATER
BEET SUGAR LIQUORS
CANE SUGAR LIQUORS
KEROSENE
NAPHTHA
BENZINE
ENGINE OIL (Light)
(Heavy)
CREOSOTE
ALCOHOLS (Ethyl)
(Methyl)
BRINE (Light)
COTTON SEED OIL
AMMONIA WATER
WET VACUUM APPLICATIONS
CONDENSATE
LIQUID SOAP
MINERAL OIL

SYRUP (Light)
(Heavy)
HYDRAULIC OIL (Light)
(Heavy)
WATER BASE PAINTS
TREE SPRAYS (Thin)
(Containing Insolubles)
LAWN SPRINKLING (Water)
LAUNDRY TRAY TRANSFER
GREENHOUSE MIST SPRAYING
SWIMMING POOL CIRCULATION
SWIMMING POOL FILTRATION
WHISKEY
GLYCERINE
WINE
TURPENTINE
BEER
INK
FLAVORS AND EXTRACTS
DYE
FIRE FIGHTING
URINE
IRRIGATING
SEWAGE

VEGETABLE OILS (Light)
(Heavy)
STARCHES (Light)
(Heavy)
LIME WATER
COOLANTS
AQUARIUM CIRCULATION (Salt Water)
(Fresh Water)
INSECTICIDES (Thin)
(Containing Insolubles)
WEEDICIDES (Thin)
(Containing Insolubles)
WOOD TREATMENTS (Oil Base)
(Pastes)
LINSEED OIL
LIVESTOCK SPRAYS (Thin)
(Containing Insolubles)
LIQUID FERTILIZER (Thin)
(Containing Insolubles)
WHITEWASH (Thin)
(Heavy)
ANIMAL OILS (Lard)
MOLASSES (Blackstrap)
(Diluted)

and many more!

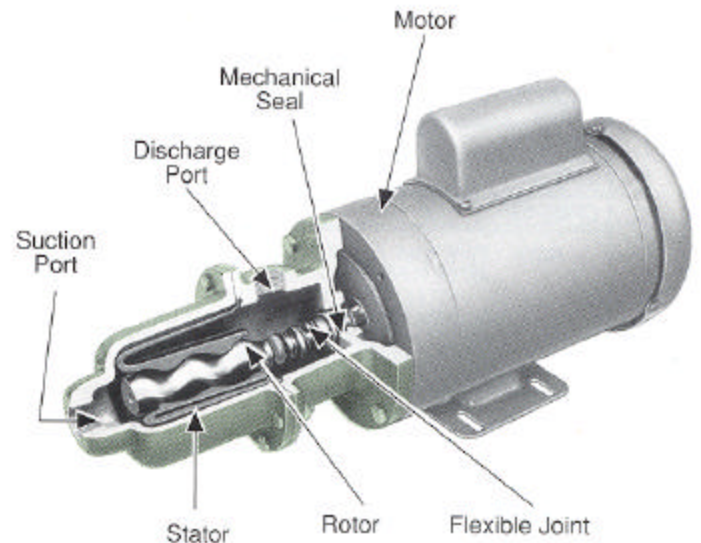
Fill out the **PUMP APPLICATION DATA SHEET** and return for a prompt recommendation.
Request copies if not with this Catalog.



PACKING GLAND PUMP

Models

CP-15D	CP-44D
CP-22D	CP-56D
CP-33D	CP-67D



CLOSE COUPLED MOTOR-DRIVEN PUMP

Models

CPM-15	CPML-15
CPM-22	CPML-22
CPM-33	CPML-33
CPM-44	CPML-44
CPM-56	CPML-56
CPM-67	CPML-67

CONTINENTAL[®]

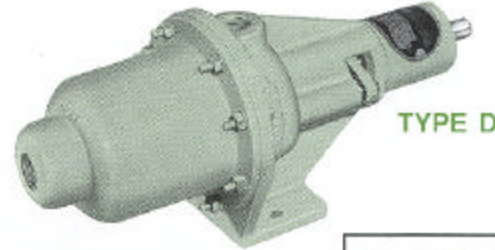
PROGRESSING CAVITY PUMPS

... are the solution to handling many liquids in a range of capacities from less than one gallon to more than 50 gallons per minute versus discharge pressures to 150 PSI depending upon liquid and conditions of the application.



TYPE M

MECHANICAL SEAL PUMP



TYPE D

PACKING GLAND PUMP

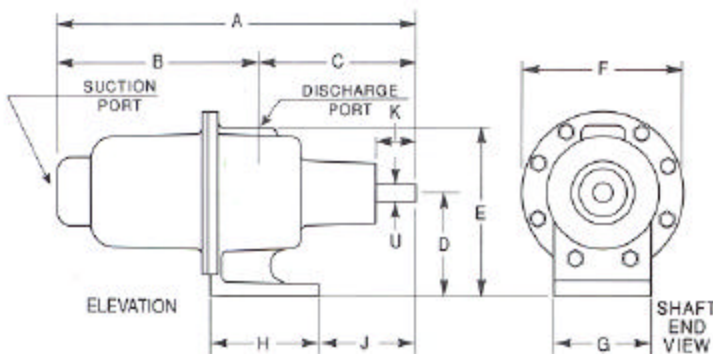
CONTINENTAL
PROGRESS

PUMP FRAME SIZES	PORT SIZES NPT		PUMP TYPE MATERIALS OF CONSTRUCTION							
			BODY CASTINGS		ROTORS	STATORS			M	
			"C" CAST IRON	"S" STAINLESS STEEL	"S" STAINLESS STEEL	"Q" B U N A	"B" P D M	"F" V I T O N		
INLET SUCTION	OUTLET DISCHARGE									
CP-15 • CP-22 • CP-33 • CP-44	3/4"	3/4"	✓	✓	✓	✓	✓	✓	✓	✓
CP-15 • CP-22 • CP-33 • CP-44	3/4"	3/4"	✓	✓	✓	✓	✓	✓	✓	✓
CPM-15 • CPM-22 • CPM-33 • CPM-44	3/4"	3/4"	✓		✓	✓	✓	✓	✓	✓
CPML-15 • CPML-22 • CPML-33 • CPML-44	3/4"	3/4"	✓	✓	✓	✓	✓	✓	✓	✓
CP-56	1-1/2"	1-1/4"	✓	✓	✓	✓	✓	✓	✓	✓
CP-56	1-1/2"	1-1/4"	✓	✓	✓	✓	✓	✓	✓	✓
CPM-56	1-1/2"	1-1/4"	✓		✓	✓	✓	✓	✓	✓
CPML-56	1-1/2"	1-1/4"	✓	✓	✓	✓	✓	✓	✓	✓
CP-67	2"	2"	✓	✓	✓	✓	✓	✓	✓	✓
CP-67	2"	2"	✓	✓	✓	✓	✓	✓	✓	✓
CPM-67	2"	2"	✓		✓	✓	✓	✓	✓	✓
CPML-67	2"	2"	✓	✓	✓	✓	✓	✓	✓	✓

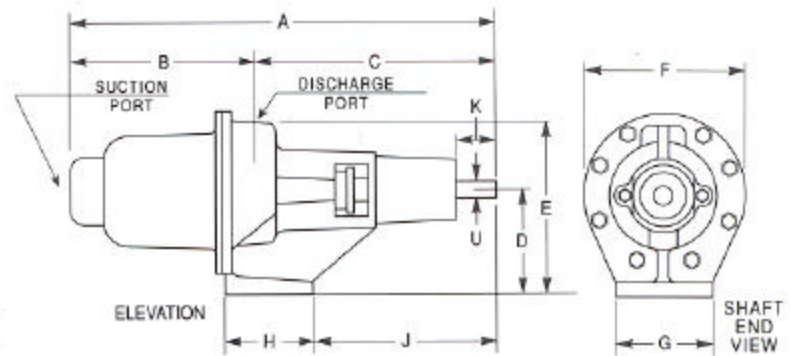
NOTE: TYPE PUMP DESIGNATION:
AFTER PUMP FRAME SIZE
1ST LETTER - BODY CASTING - "C" OR "S"
2ND LETTER - ROTOR - "S"
3RD LETTER - STATOR - "Q", "B" OR "F"
4TH LETTER - TYPE OF SEAL - "M" OR "D"

EXAMPLES OF COMPLETE MODEL DESIGNATIONS

FRAME CP-15-CSQM
FRAME CP-15-SSQD
FRAME CPM-56-CSQM
FRAME CPML-56-CSQM
FRAME CP-67-CSQD



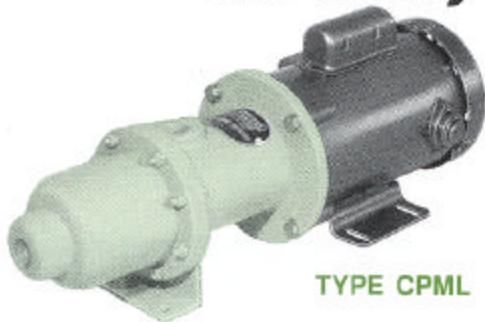
PUMP MODELS
CP-15M • CP-22M • CP-33M • CP-44M • CP-56M • CP-67M
MECHANICAL SEAL TYPE



PUMP MODELS
CP-15D • CP-22D • CP-33D • CP-44D • CP-56D • CP-67D
PACKING GLAND TYPE

LOW COST COMPACT UNITS

for every requirement!



TYPE CPML

CLOSE COUPLED
MOTOR-DRIVEN PUMP



TYPE CPM

CLOSE COUPLED
MOTOR-DRIVEN PUMP

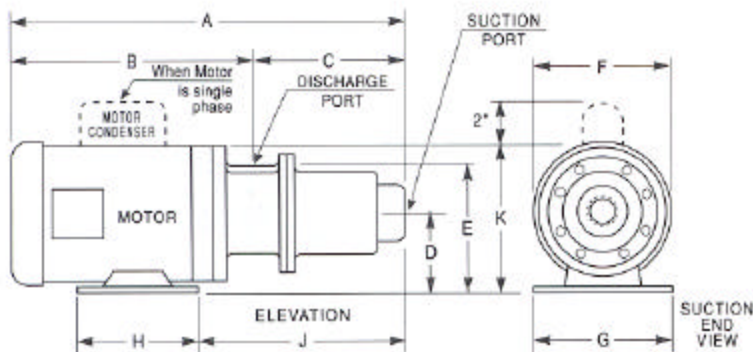
PUMP MODELS

CAVITY TYPE

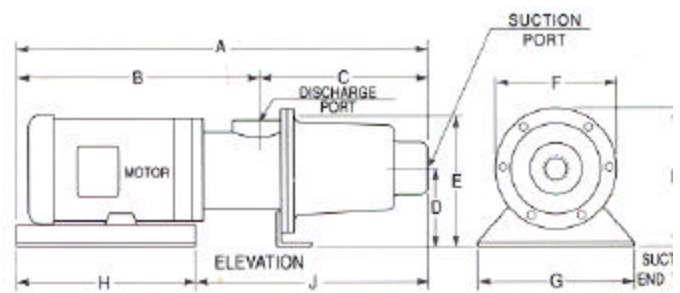
S	DIMENSIONS											SEE NOTE BELOW	SHIPPING WEIGHTS (APPROXIMATE)
	"D" PACKING GLAND	A	B	C	D	E	F	G	H	J	K		
		12-7/16"	6-13/16"	5-5/8"	3-1/2"	5-3/4"	5-1/2"	3-1/4"	3-1/16"	3-3/8"	1-7/16"	5/8"	15 Lbs.
✓		14-3/4"	6-1/4"	8-1/2"	3-1/2"	5-13/16"	5-1/2"	3-1/4"	3"	6-7/16"	1-7/16"	5/8"	18 Lbs.
		18-5/16"	11-1/2"	6-13/16"	3-1/2"	5-7/8"	6-5/8"	6-1/2"	4-1/2"	10-5/8"	7"		48 Lbs.
		20-9/16"	13-3/4"	6-13/16"	3-1/2"	5-7/8"	6-5/8"	6-1/2"	4-1/2"	12-7/8"	7"		52 Lbs.
		16-11/16"	9-3/4"	6-15/16"	4-9/32"	7-9/32"	7-1/2"	6"	4-3/4"	3-9/16"	2-3/8"	3/4"	40 Lbs.
✓		18-13/16"	9-3/4"	9-1/16"	4-9/32"	7-9/32"	7-1/2"	6"	4-3/4"	5-11/16"	2-3/8"	3/4"	44 Lbs.
		22-1/4"	12-1/2"	9-3/4"	4-1/2"	7-1/2"	7-1/2"	9"	10"	12-1/4"	8-1/4"		80 Lbs.
		24-11/16"	14-15/16"	9-3/4"	4-1/2"	7-1/2"	7-1/2"	9"	10"	14-11/16"	8-1/4"		85 Lbs.
		19-9/16"	11-15/16"	7-5/8"	4-1/2"	8-1/4"	8-1/4"	6"	4-7/8"	4-9/16"	2-1/8"	1"	85 Lbs.
✓		22"	12"	10"	4-1/2"	8-1/4"	8-1/4"	6"	4-3/4"	7-1/8"	2-1/8"	1"	90 Lbs.
		24-5/8"	12-5/8"	12"	4-1/2"	7-3/4"	8-1/4"	9"	10"	14-5/8"	8-5/8"		117 Lbs.
		27-1/16"	15-1/16"	12"	4-1/2"	7-3/4"	8-1/4"	9"	10"	17-1/16"	8-5/8"		125 Lbs.

NOTE: ALL DIMENSIONS, EXCEPT "U" MAY VARY BY 1/8".
DO NOT USE ABOVE DIMENSIONS FOR LIMITED SPACE INSTALLATIONS.
REQUEST CERTIFIED DRAWING.

WHERE "U" IS 5/8", +.000"-.002" SHAFT HAS FLAT KEYSEAT 1/16" DEEP x 1" LONG
"U" IS 3/4", +.000"-.002" SHAFT HAS FLAT KEYSEAT 1/16" DEEP x 1" LONG
"U" IS 1" , +.000"-.002" KEYWAY 1/4" WIDE x 1/8" DEEP x 2" LONG



PUMP MODELS
CPM-15 • CPM-22 • CPM-33 • CPM-44 • CPML-15 • CPML-22 • CPML-33 • CPML-44
CLOSE COUPLED MOTOR DRIVEN TYPE



PUMP MODELS
CPM-56 • CPML-56 • CPM-67 • CPML-67
CLOSE COUPLED MOTOR DRIVEN TYPE

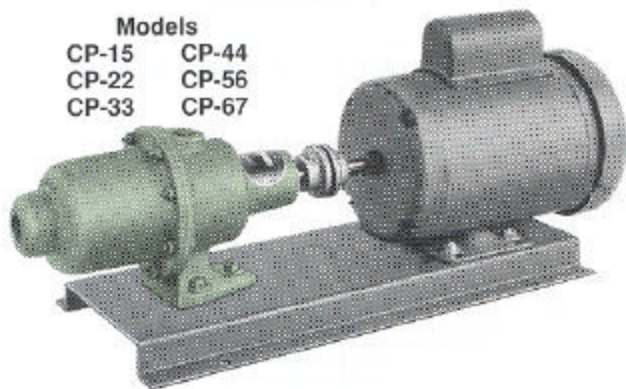
CONTINENTAL[®]

PROGRESSING CAVITY PUMPS

CONTINENTAL offers Low Cost Compact Pumping Units for every requirement. They are available complete and ready for prompt installation.

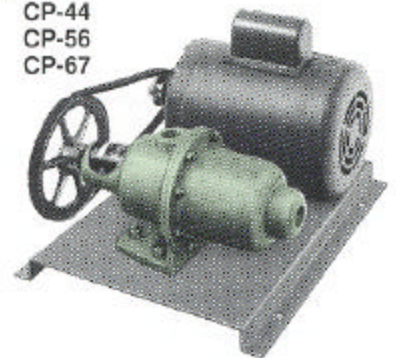
DIRECT CONNECTED MOTOR-DRIVEN UNITS

Models
 CP-15 CP-44
 CP-22 CP-56
 CP-33 CP-67



V-BELT MOTOR-DRIVEN UNITS

Models
 CP-15 CP-44
 CP-22 CP-56
 CP-33 CP-67

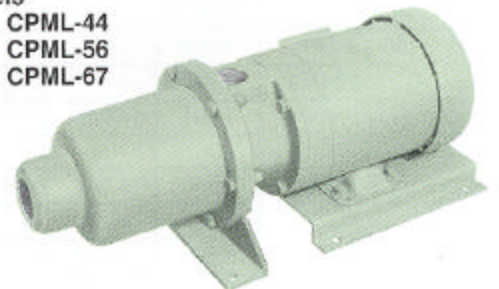


CLOSE-COUPLED MOTOR-DRIVEN UNITS

Models
 CPM-15 CPM-44
 CPM-22 CPM-56
 CPM-33 CPM-67

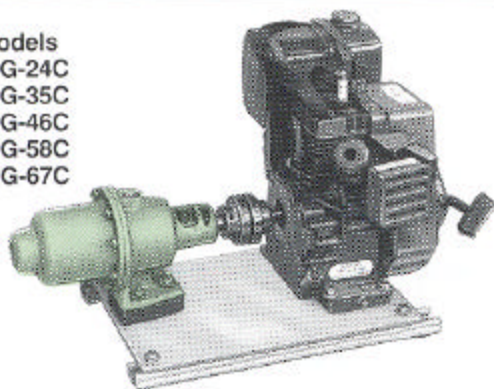


Models
 CPML-15 CPML-44
 CPML-22 CPML-56
 CPML-33 CPML-67



GASOLINE ENGINE-DRIVEN PUMP

Models
 CPG-24C
 CPG-35C
 CPG-46C
 CPG-58C
 CPG-67C



PORTABLE 3 HORSEPOWER ENGINE UNITS

Model CPML Pumps can be CLOSE-COUPLED to a Large Selection of Motor and Drive Units including:

- Open Drip Proof
 - Totally Enclosed Fan Cooled
 - Explosion Proof
 - Direct Current Motors
 - Direct Current SCR Drives
 - AC Variable Speed Drives
- **WITH A WIDE RANGE OF ELECTRICAL CURRENT CHARACTERISTICS**

**ALSO AVAILABLE WITH
 VARIABLE SPEED DRIVES
 OR
 SPEED REDUCER UNITS**

YIELD OUTSTANDING PERFORMANCE

APPLICATION OF



Speed, temperature, viscosity, suction lift, discharge pressure, abrasive content and corrosive action of the liquid to be handled should all be considered in applying these pumps. Pump should always be filled with the liquid to be handled before running. The liquid serves as a lubricant and is easily poured into pump through the discharge port before final assembly of the piping or hose connections. A filling tee with a plug or valve can be installed above the discharge port for ease in filling.

Liquid to be pumped should never exceed 190°F temperature. Maximum speed that any of these pumps should be run is 2,800 rpm and then only in handling thin, abrasive-free liquids. Preferably the speed should be 1,750 rpm for longest life. When liquid contains abrasive material or is viscous, the speed should be reduced.

For various viscosities of abrasive-free liquids, the maximum operating speed of the pump is set forth below:

SUGGESTED MAXIMUM OPERATING SPEED OF PUMP							
2000 RPM	1750 RPM	1150 RPM	870 RPM	580 RPM	430 RPM	180 RPM	100 RPM
VISCOSITY (Centipoise)							
1	1 to 100	100 to 500	500 to 1000	1000 to 3000	3000 to 5000	5000 to 10,000	10,000 to 30,000
Water	Canned Milk	30 Weight Oil	Table Syrup	Honey	Molasses	Pastry	Peanut Butter
ABRASIVE FLUIDS							
Name	None	None	Light	Medium	Medium	Heavy	Heavy
	Clear Water		Dirty Water		Clay Slurries		Lapping Compounds
	Gasoline			Paraffin Emulsion			Mill Scale in Water

Capacity and life of these pumps will depend upon the liquid being handled.

Piping to pump should be properly selected and should not be smaller in size than the suction and discharge ports of the pump. All pipe and hose fitting joints should be tight. Discharge lines should be open or if pump is operated in an enclosed system, provision should be made for pressure relief when the pump pressure exceeds the limits as set forth for each model pump.

Pump bearings do not require lubrication as they are pre-lubricated.

We recommend that the pump be flushed after its use.

PUMP SHOULD NOT BE RUN DRY.

We will be glad to collaborate on any proposed applications.

Fill in PUMP DATA Sheet and return for a prompt recommendation. Request copies if not with this Bulletin.

hundreds of different applications for

**INDUSTRY
COMMERCE
AGRICULTURE**

PERFORMANCE DATA							
MODEL NO.	DISCHARGE PRESSURE	CAPACITY-Gallons per Minute (Water at 70°F)					MOTOR HORSE POWER
		PUMP SPEED					
		1750 rpm	1150 rpm	870 rpm	580 rpm	430 rpm	
CP-15	0	1.0	1.3	1.0	.7	.5	1/2
	25	1.7	1.0	.5	.2	.1	
	50	1.5	.9	.2			
	75	1.2	.8				
	100	1.0	.7				
	125	.8	.5				
CP-22	0	4.9	3.2	2.4	1.6	1.2	1/2
	25	4.1	2.7	2.0	1.3	.9	
	50	3.4	2.2	1.6	1.0	.7	
	75	2.6	1.7	1.3	.8	.6	
	100	2.0	1.5	1.0	.6	.4	
CP-33	0	9.4	6.0	4.6	3.1	2.3	1/2
	25	7.0	4.5	3.4	2.3	1.7	
	50	4.2	2.7	2.0	1.3	.9	
CP-44	0	15.0	9.7	7.3	4.9	3.6	1/2
	25	12.0	7.0	5.0	4.0	3.0	
	50	8.4	6.1	4.6	3.1	2.3	
CP-56	0	24.0	15.6	11.7	7.9	5.8	1
	25	22.0	14.3	10.7	7.2	5.3	
	35	20.5	13.3	10.0	6.7	4.9	
	50	19.5	12.7	9.5	6.4	4.1	
CP-67	0	53.0	34.5	26.0	17.5	13.0	1
	10	48.0	31.0	23.4	15.8	11.7	
	20	43.0	28.0	21.0	14.0	10.3	
	35	34.0	22.0	16.5	11.0	8.1	
	50	25.0	16.3	12.3	8.3	6.1	
							2

CONTINENTAL[®]

PROGRESSING CAVITY PUMPS

... have been applied by these well known Companies:

ABBOTT LABORATORIES
ALCOA
ALLEN PRODUCTS
ALLIED CHEMICAL
ALTON BOX
AMERICAN STEEL FOUNDRIES
AMERICAN STORES PACKING
AMOCO OIL
AMACONDA
ARGONNE NATIONAL LAB
ARMCO
ARVIN INDUSTRIES
ASPEN PLASTICS
BALDOR
BANNER FIBREBOARD
BANQUET FOODS
BEATRICE FOODS
BEMIS
BENDIX
BEVERIDGE PAPER
BOEING
BROWN CO.
BURLINGTON INDUSTRIES
CARNATION
CASTLE & COOKE
CERRO METAL
CERTAIN-TEED
CHAMPION PAPER
CHASE BAG
CHEVROLET
CITY OF JOPLIN
CITY OF ST. CHARLES
CITY OF SHREVEPORT
CLEVELAND CLIFFS
CLINTON CORP
CLOW
COCA COLA
COLEMAN
COLONIAL BAKING
CONSOLIDATED PACKAGING

CONSOLIDATED ALUMINUM
CONTAINER CORP OF AMERICA
CONTINENTAL EMSCO
CORNING GLASS
CURTIS PAPER
CUTLER HAMMER
DAN RIVER
DEKALB AGRICULTURE
DEL MONTE
DOW CHEMICAL
DR. PEPPER
DRAVO
DU PONT
EAGLE-PICHER
EASTERN STAINLESS
FMC
FEDERAL PAPER BOARD
FISHER BODY
FORD MOTOR
GAF
GENERAL ELECTRIC
GEORGIA PACIFIC
GLIDDEN-DURKEE
GLOBE VALVE
GOLDBLATT TOOL
B.F. GOODRICH
GREENVILLE TOOL
GRIFFIN MFG.
HALLIBURTON
HALLMARK
HAMILTON STANDARD
HANNA MINING
HARRISON RADIATOR
HARSHAW CHEMICAL
HOERNER WALDORF
HOLLINGSWORTH & VOSE
HUBINGER
HUDSON FOODS
IBM
IDEAL CEMENT

INDUSTRIAL SUGARS
INLAND MFG.
INTERNATIONAL PAPER
JOHNS MANVILLE
JONES & LAUGHLIN
KAISER GYPSUM CO.
KIMBERLY CLARK
KOCH ENGINEERING
LACLEDE STOKER
LA CROSSE RUBBER
LEA MFG.
LOCKHEED
MALLINCKRODT
MARATHON OIL
MC DONNELL DOUGLAS
MEAD PAPER
GEO. MEYER MFG.
MIDWEST DREDGING
MILES LABORATORIES
MISSISSIPPI LIME
MO PAC
MOBILE DRILLING
MOBILE OIL
MONADNOCK PAPER
MONARCH CEMENT
MONSANTO
N.L. INDUSTRIES
NATIONAL BY-PRODUCTS
NATIONAL FELT
NATIONAL GYPSUM
NATIONAL MACHINERY
NATIONAL MARINE
NEKOOSA PAPERS
NORTHROP KING
OLIN
OLINKRAFT
OWENS CORNING FIBERGLAS
OWENS ILLINOIS
PACKAGING CORP OF AMERICA
PANHANDLE EASTERN

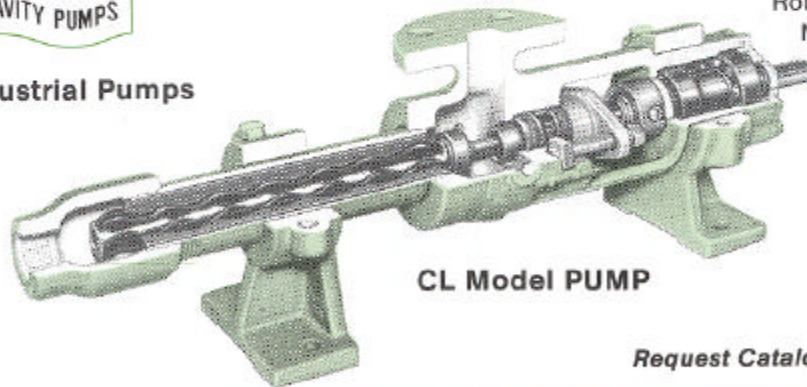
PEABODY COAL
PEPSI COLA
PETROLITE
PITNEY BOWES
PRATT & LAMBERT
RALSTON PURINA
REMINGTON ARMS
REYNOLDS METALS
ST. JOE MINERALS
ST. LOUIS SHIP
ST. REGIS PAPER
SAMSONITE
SIGMA CHEMICAL
SIGMA TREATMENT
SIMPLEX INDUSTRIES
SIOUX CITY BARGE
SONOCO PRODUCTS
A.E. STALEY
SUNDRAND
SUNNEN
UNION ELECTRIC
U.S. GEOLOGICAL SURVEY
U.S. GYPSUM
U.S. INDUSTRIAL CHEMICALS
U.S. MINERALS
U.S. STEEL
UNITED STATES GYPSUM
VALSPAR
WAGNER ELECTRIC
WAUSAU PAPER
WELLSVILLE FIRE BRICK
WESTERN ELECTRIC
WESTINGHOUSE ELECTRIC
WESTVACO
WEYERHAEUSER

and many more!

CONTINENTAL[®]

PROGRESSING CAVITY PUMPS

Heavy Duty Industrial Pumps



CL Model PUMP

CONTINENTAL Models CL, CM, CG, & CJ PUMPS and PARTS are interchangeable with Robbins & Myers MOYNO Models L, M, SWG, & J.

Request Catalog CL-8400

PROMPT SHIPMENT can be made . . . from our closest STOCKING DISTRIBUTOR . . . or DIRECT from our FACTORY in St. Louis . . . PLUS the availability of 47 YEARS EXPERIENCE in successfully applying PROGRESSIVE CAVITY PUMPS!

Continental Pump Co.