

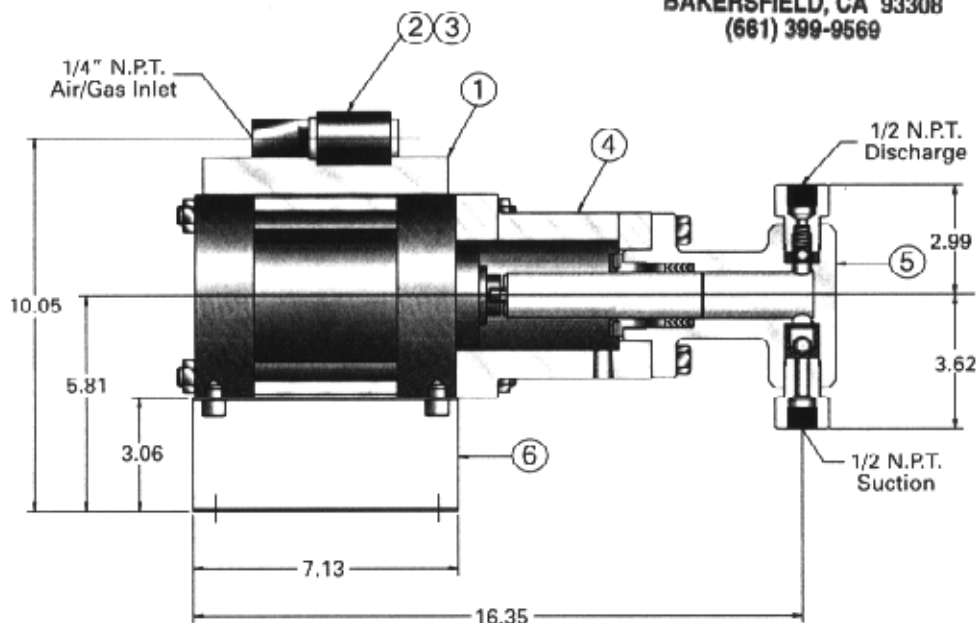
MX-5

Chemical Injection Pump

Product Features of the MX-5

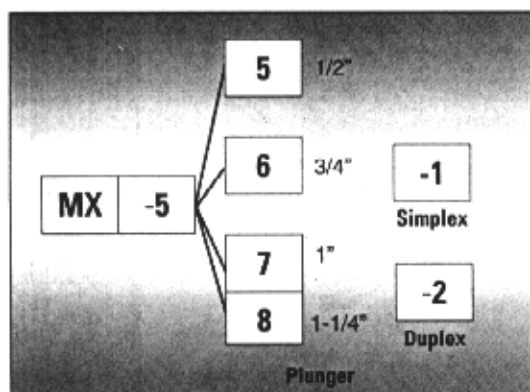
- 1 to 62 GPH
- Duplex models available
- No springs in the power cylinder-positive cycle operation
- Adjustable packing allows for planned maintenance
- Easily field serviceable
- Environmentally friendly-able to recycle unused supply gas
- 1 to 60 Strokes Per Minute
- Lightweight
- Wide range of service gas pressure
minimum-30 psi
maximum-145 psi
- Option of ceramic plungers-longer life on the plunger and packing
- Variety of packing allows for many chemical compatibilities

Simplex Dimensions



FRED C. GILBERT CO.
P.O. BOX 5534
1615 BEDFORD WAY #A
BAKERSFIELD, CA 93308
(661) 399-9569

Model Nomenclature



Parts List

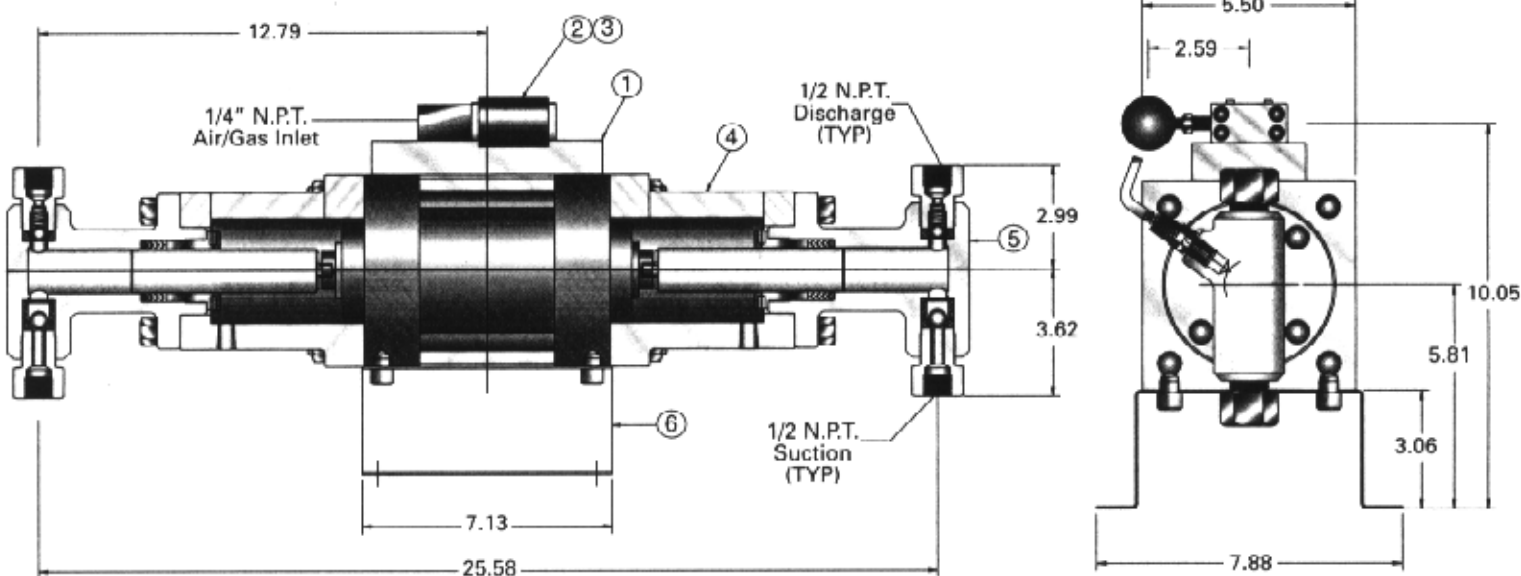
Item	Part No.	No. Reqd.	Name	Material
1	TB1641	1	Power Unit-SPLX	
2	TA6320	1	Nipple	SST
3	TA5851	1	Speed Control Valve	Aluminum
4	TC2141	1	Yoke	Aluminum
5		1	Fluid End Body Assembly	CF8M
6	TB1644	1	Mounting Bracket	16 GA Galv. Steel
7	TB1643	1	Yoke Cover (not shown)	Plastic

FRED C. GILBERT CO.
 P.O. BOX 5534
 1615 BEDFORD WAY #A
 BAKERSFIELD, CA 93308
 (661) 399-9569

Packing/Seal Material Selection

Material	Temp. Range	Suggested Pressure Range	Comments
Buna	-40 to 200 F	0-5000 PSI	Soft material-fair wear resistance-used mainly for methanol service
Viton®	-10 to 200 F	0-5000 PSI	Broad chemical compatibility, but not used with ethyl or methyl alcohols
Teflon®	-30 to 180 F	0-3000 PSI	Tough material with very good wear resistance. Excellent chemical inertness
HP Buna	-40 to 200 F	to 10,000 PSI	Very good high pressure capability
HP Viton®	-10 to 200 F	to 10,000 PSI	Very good high pressure capability

Duplex Dimensions



Materials

Fluid End Assembly

Body	316SS
Plunger	17-4 SS
	Ceramic
Packing Gland	303SS
Packing Nut	303SS
Check Valve Balls	316SS
Priming Valve	303SS

Power Unit Assembly

Nipple	SST
Speed Control Valve	Aluminum
Yoke	Aluminum
Mounting Bracket	16 GA Galv. Steel
Yoke Cover	Plastic

Parts List

Item	Part No.	No. Redq.	Name	Material
1	TB1642	1	Power Unit-DPLX	
2	TA6320	1	Nipple	SST
3	TA5851	1	Speed Control Valve	Aluminum
4	TC2141	1	Yoke	Aluminum
5		2	Fluid End Body Assembly	CF8M
6	TB1644	1	Mounting Bracket	16 GA Galv. Steel
7	TB1643	1	Yoke Cover (not shown)	Plastic

MX-5

Chemical Injection Pump

Performance

MODEL	SIMPLEX GPH/LPH		DUPLEX GPH/LPH		PRESSURE PSI/BARG	VOLUME PER STROKE CC	MAX. AIR CONSUMPTION 100 PSIG 6.9 BAR	
	MAX	MIN	MAX	MIN			SCF/DAY	SCM/DAY
MX55 1/2" PLUNGER								
@ 50 PSI/3.45 BAR	5.2/19.7	1.04/3.9	10.4/39.4	1.9/7.2	4500/310	2.99		
@ 100 PSI/6.9 BAR	5.4/20.5	.4/1.5	10.4/39.4	1.9/7.2	8500/586	5.98	6114	173.1
@ 145 PSI/10 BAR	5.4/20.5	.9/3.4	10.4/39.4	1.9/7.2	10000/690	8.67		
MX56 3/4" PLUNGER								
@ 50 PSI/3.45 BAR	12.9/49	2.1/7.9	23/87	3.75/14.2	2000/138	6.73		
@ 100 PSI/6.9 BAR	12.9/49	2.1/7.9	23/87	3.75/14.2	4000/276	13.46	6836	193.6
@ 145 PSI/10 BAR	12.9/49	2.1/7.9	23/87	3.75/14.2	6000/414	19.52		
MX57 1" PLUNGER								
@ 50 PSI/3.45 BAR	23/87	9.4/35.6	42/159	14.6/55.3	1150/79	11.97		
@ 100 PSI/6.9 BAR	23/87	7.3/27.7	42/159	12.5/47.4	2250/155	23.93	7451	211
@ 145 PSI/10 BAR	23/87	9.4/15.9	42/159	15.8/59.9	3250/224	34.7		
MX58 1-1/4" PLUNGER								
@ 50 PSI/3.45 BAR	34/128	14.6/55.3	62.5/237	27/102.3	750/51	18.7		
@ 100 PSI/6.9 BAR	34/128	12.5/47.3	62.5/237	23/87	1400/96	37.4	8850	250.6
@ 145 PSI/10 BAR	34/128	15.8/59.8	62.5/237	29/109.9	2000/138	54.23		

ORDERING NOTES:

- Stroke length all models—2"
- Stroke speed all models—1-60 SPM
- Packing/Seal recommendations constitute no guarantee—for questionable applications contact Texsteam Engineering
- All MX-5 Pumps should be mounted in the horizontal position—pump mounts are included with each unit

® Teflon and Viton are registered Trademarks of Dupont



Copyright © 2000 by Dresser Valve Division,
Dresser Equipment Group, Inc., a Halliburton company
All rights reserved. Printed in U.S.A.
Reproduction in whole or part prohibited by law.



QUALITY & SERVICE SINCE 1954
FRED C. GILBERT CO.
LIQUID HANDLING EQUIPMENT
LUBRICATOR & METERING PUMP
SERVICE CENTER
1615 "A" BEDFORD WAY
BAKERSFIELD, CA 93308
661-399-9509 <http://www.fcgilbert.com>