

TECHNICAL BULLETIN

Fred C. Gilbert Co.
106 Norris Road
Bakersfield, Ca. 93308
www.fcgilbert.com
661-399-9569

S E R I E S



2 4 0 0

CHEMICAL INJECTION PUMPS

PRODUCT FEATURES:

- ◆ Maximum discharge pressure:
4,000 PSI (276 bar) w/ 1/2" plunger
- ◆ Maximum volume:
880 GPD (3,331 Liters) w/ 1-1/4" plunger
- ◆ Each fluid end is adjustable while running
Simplex or Duplex configuration
- ◆ Available in 2 speeds:
30 or 60 strokes per minute
- ◆ 1 Horsepower motor is standard (2 hp optional)
1 or 3 phase-TEFC or Explosion Proof
- ◆ Oil-less Drive Unit
- ◆ Plunger Sizes:
1/2", 3/4", 1", 1-1/4"
- ◆ Meets or exceeds API 675 specifications



MODEL DESIGNATION

24F6-2

NUMBER OF
HEADS
1 — SIMPLEX

PLUNGER SIZE
5 — 1/2"
6 — 3/4"
7 — 1"
8 — 1 1/4"

STROKE SPEED
F — 60 SPM
G — 30 SPM

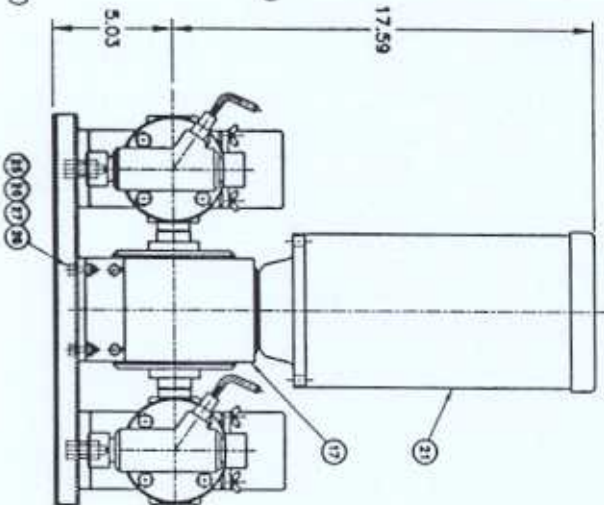
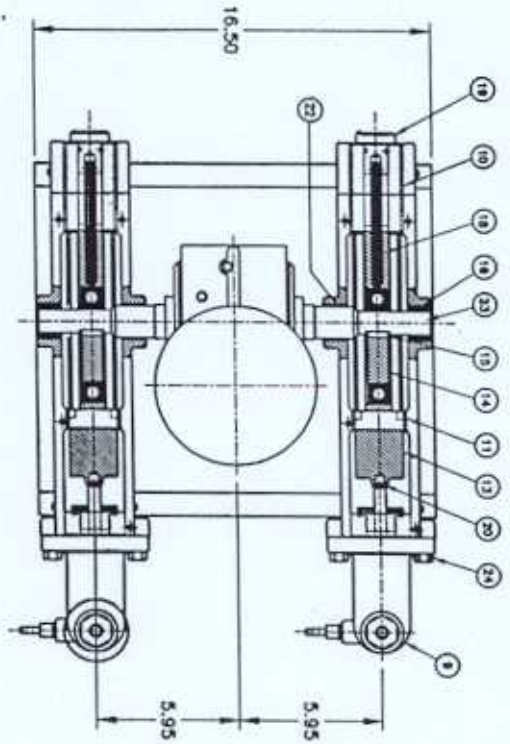
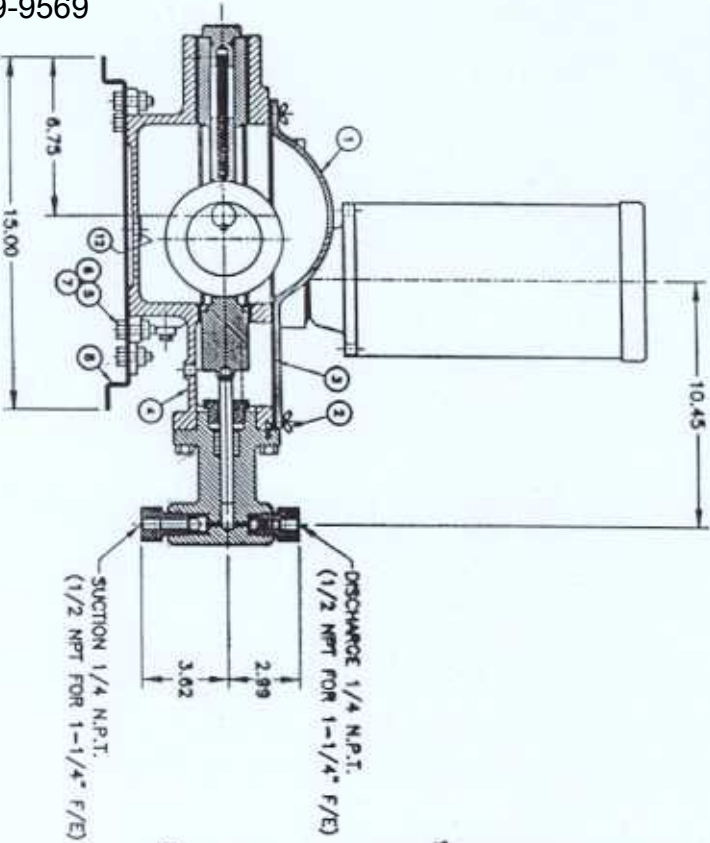
2400 SERIES

The 2400 Series chemical injection pumps are electric driven, positive displacement pumps utilizing C-faced motors and common gear reducers. The gear reducers are available in 30 or 60 strokes per minute. Four different plunger sizes provide a wide selection of volumes and pressures.

The [2400 Series](#) is available in Simplex or Duplex configurations. They are adjustable while running, and each are driven off an eccentric cam gear which requires no oil bath.



Fred C. Gilbert Co.
 106 Norris Road
 Bakersfield, Ca. 93308
 www.fcgilbert.com
 661-399-9569



PARTS LIST

ITEM	QTY	DESCRIPTION	MATERIAL
1	2	COVER	ALUM ALB CL.
2	8	THUMB SCREW	QD PL. C.S.TL.
3	2	DIAPHR. COVER	BRASS
4	2	HOUSING	ALUM ALB CL.
5	4	HECS 1/2-13 X 1.50	QD PL. C.S.TL.
6	4	MUT. HEX 1/2-13	QD PL. C.S.TL.
7	4	CUT WASHER 1/2	QD PL. C.S.TL.
8	1	BASE PLATE	QD PL. C.S.TL.
9	2	ASSEMBLY F/E	316 SS
10	2	CROSS HEAD BEARING LONG	BRASS
11	2	CROSS HEAD BEARING SHORT	BRASS
12	2	SCREW	SS
13	2	CROSS HEAD ASSEMBLY	17-7PH SS
14	2	ECCENTRIC CAM ASSEMBLY	STEEL
15	2	KEY	CARBON STEEL
16	2	SHAFT BEARING SMALL	BRASS
17	1	PROXAKER 30 SPM	BRASS
18	1	PROXAKER 60 SPM	BRASS
19	1	PROXAKER 120 SPM	BRASS
20	2	STROKE ADJUSTOR	17-7PH SS
21	2	ADJUSTING SCREW	418 SST
22	2	SPRING CLIP	STEEL
23	1	MOTOR (SER-CAP MOTOR)	BRASS
24	2	SHAFT BEARING LONG	4140
25	2	DRIVE SHAFT	SS
26	8	HECS	SS
27	8	HEX NUT	SS
28	8	LOCK WASHER	SS
29	8	FLAT WASHER	SS

SCALE .25=1

2400 PUMP ASSEMBLY
 DUPLEX

Texsteam
 INDUSTRIAL TOOLS

DATE: 09/29/12
 DRAWN BY: JLN
 CHECKED BY: JLN
 APPROVED BY: JLN

TS3744

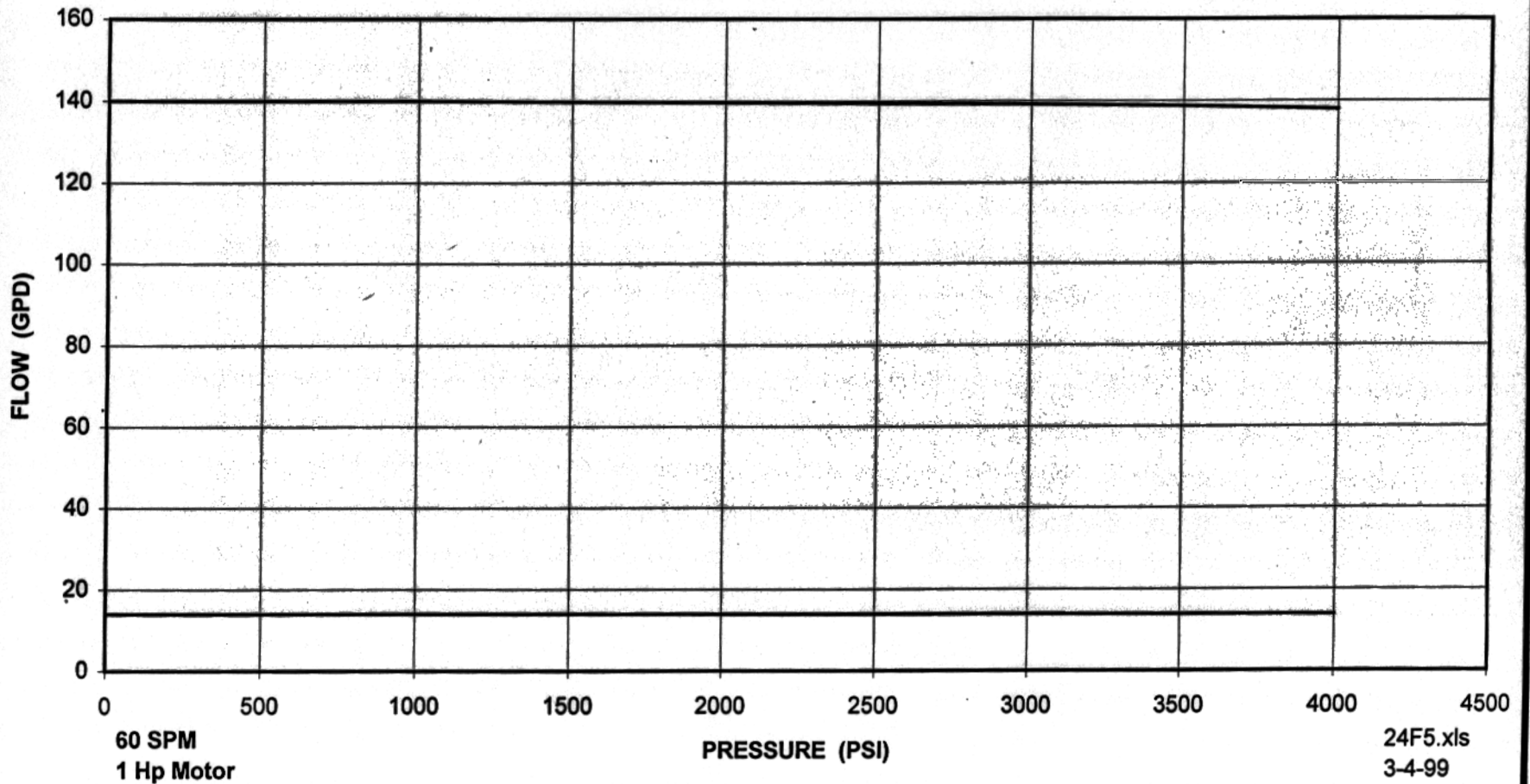
Fred C. Gilbert Co.
 106 Norris Road
 Bakersfield, Ca. 93308
 www.fcgilbert.com
 661-399-9569

2400 PUMP Fluid End Parts List

Item	Description	Material	Fluid End Sizes			
			1/2"	3/4"	1"	1-1/4"
1	Fluid End Assy		TC 2162	TC 2146	TC 2147	TC 2148
	Pump Head	316 ss	TC 2158	TC 2142	TC 2143	TC 2145
2	Discharge Bushing	303 ss	TA 0152	TA 0152	TA 0152	TA 2456
3	Suction Bushing	303 ss	TA 0153	TA 0153	TA 0153	TA 2455
4*	Discharge Check Valve Seat	303 ss	TB 0695	TB 0695	TB 0695	TB 0695
5*	Suction Check Valve Seat	303 ss	TB 0698	TB 0698	TB 0698	TB 0698
6	Discharge Check Ball	316 ss	TA 0054	TA 0054	TA 0054	TA 0054
7	Suction Check Ball	316 ss	TA 0053	TA 0053	TA 0053	TA 0053
8	Check Ball Spring	316 ss	TA 0077	TA 0077	TA 0077	TA 0077
9	Gasket	304 ss	TA 2350	TA 2350	TA 2350	TA 2350
10	Ball Cage	17-4ph ss	TA 0444	TA 0444	TA 0444	TA 0444
11	Packing (Buna-n)		TA 0959	TA 2771	TA 0050	TA 0405
	(Viton)		TA 4103	TA 4657	TA 4658	TA 4480
	(Teflon)		TA 1531	TA 2988	TA 1013	TA 1014
	(High Pressure-Buna)		TA 1874	TA 2772	TA 4135	TA 4133
12	Packing Gland	303 ss	TA 1219	TA 2769	TA 0043	TA 6450
13	Packing Gland Nut	303 ss	TA 6484	TA 2765	TA 0047	TA 6451
14	Plunger	17-4ph ss	TA 6499	TA 6459	TA 6460	TA 6461
15	Discharge Check Valve Assy	SS/Buna	TB 0368-B	TB 0368-B	TB 0368-B	TB 0368-B
		SS/Viton	TB 0368-V	TB 0368-V	TB 0368-V	TB 0368-V
		SS/Teflon	TB 0368-T	TB 0368-T	TB 0368-T	TB 0368-T
		SS/Buna	TB 0698-B	TB 0698-B	TB 0698-B	TB 0698-B
16	Suction Check Valve Assy	SS/Viton	TB 0698-V	TB 0698-V	TB 0698-V	TB 0698-V
		SS/Teflon	TB 0698-T	TB 0698-T	TB 0698-T	TB 0698-T
17	Bleeder Valve Assy		TA 0123	TA 0123	TA 0123	TA 0123
18*	Discharge O-Ring (Buna-n)		TA 2097	TA 2097	TA 2097	TA 2097
		(Viton)	TA 2336	TA 2336	TA 2336	TA 2336
		(Teflon)	TA 6189	TA 6189	TA 6189	TA 6189
19*	Suction O-Ring (Buna-n)		TA 0612	TA 0612	TA 0612	TA 0612
		(Viton)	TA 2184	TA 2184	TA 2184	TA 2184
		(Teflon)	61439P007	61439P007	61439P007	61439P007
20	Gasket	304 ss	TA 2338	TA 2338	TA 2338	TA 2338
*	These parts included in the Check Valve Assy for the type of seals needed.					

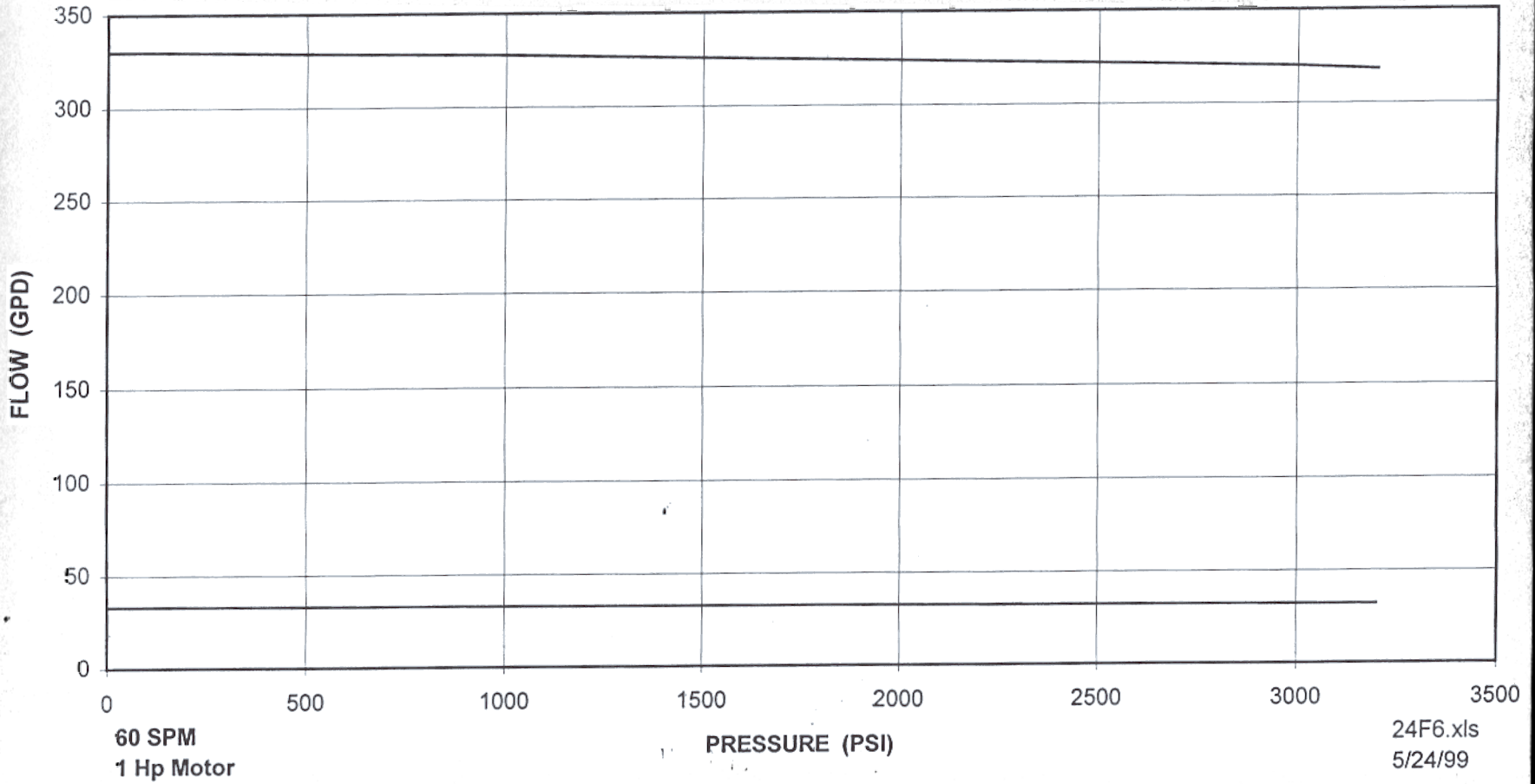
Fred C. Gilbert Co.
106 Norris Road
Bakersfield, Ca. 93308
www.fcgilbert.com
661-399-9569

Texsteam / Dresser 24F5 (1/2" Plgr) CAPACITY FLOW CHART



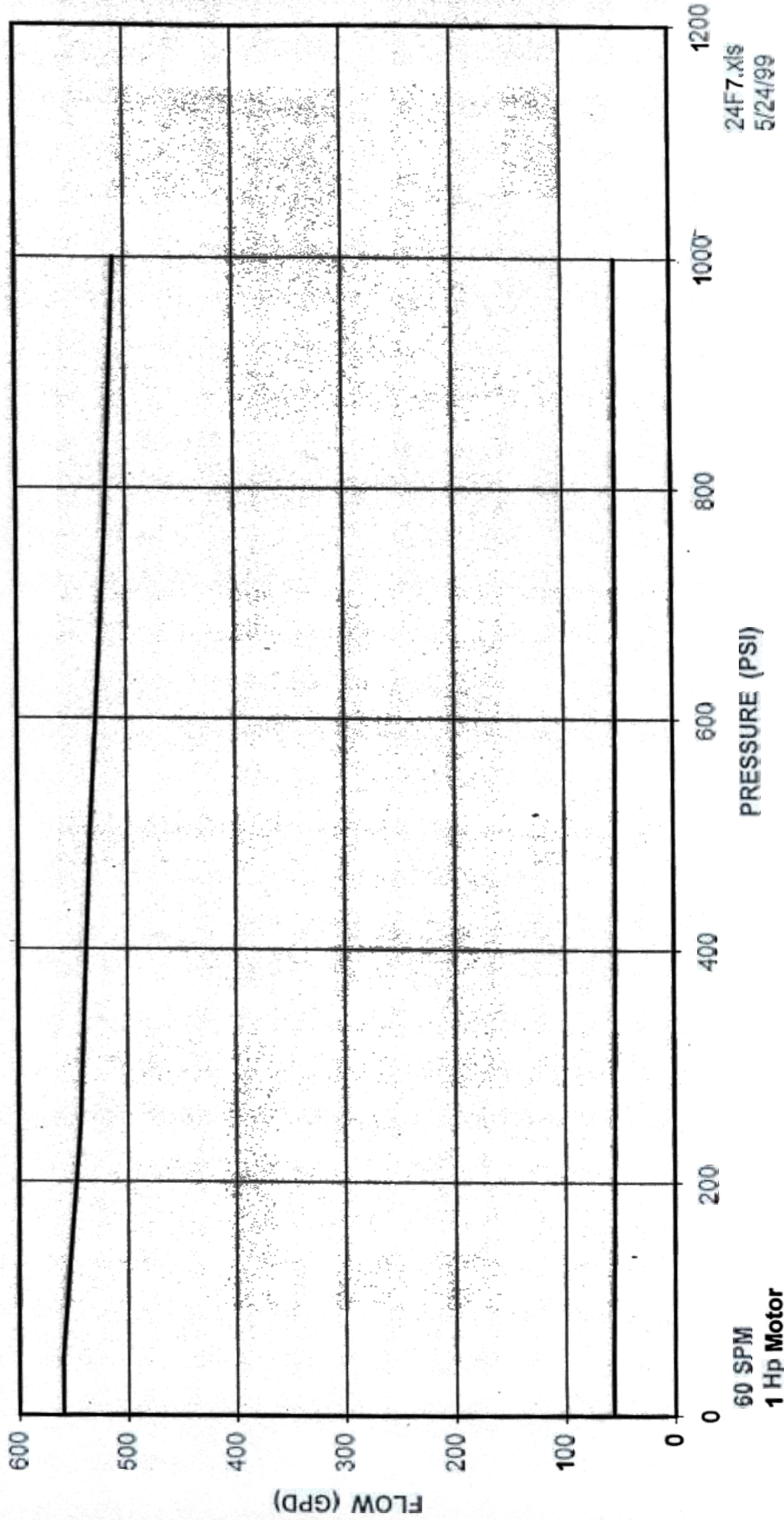
Fred C. Gilbert Co.
106 Norris Road
Bakersfield, Ca. 93308
www.fcgilbert.com
661-399-9569

Texsteam / Dresser 24F6 (3/4" Plgr) CAPACITY FLOW CHART



Fred C. Gilbert Co.
106 Norris Road
Bakersfield, Ca. 93308
www.fcgilbert.com
661-399-9569

**Texsteam / Dresser
24F7 (1" Plgr)
CAPACITY FLOW CHART**

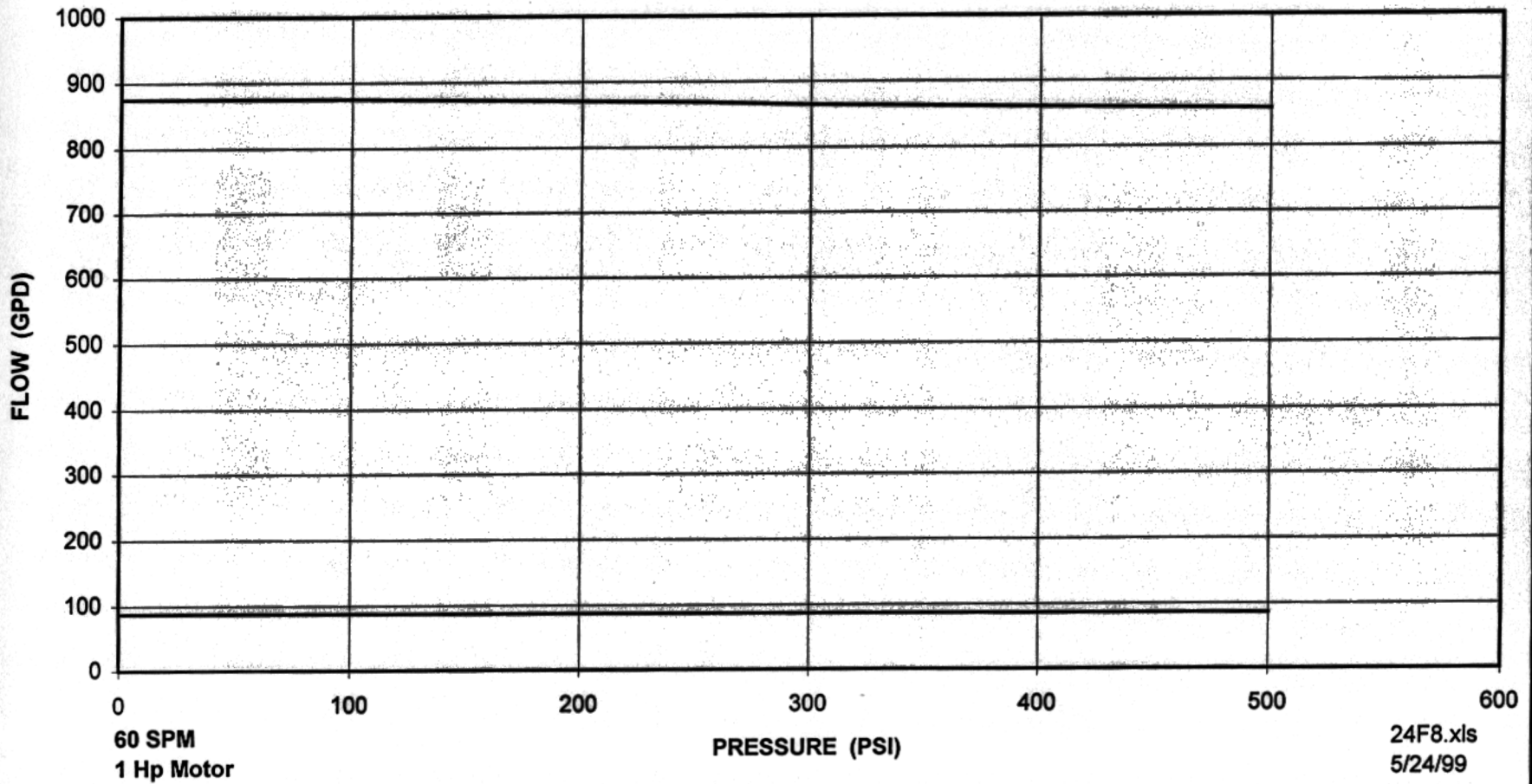


60 SPM
1 Hp Motor

24F7.xls
5/24/99

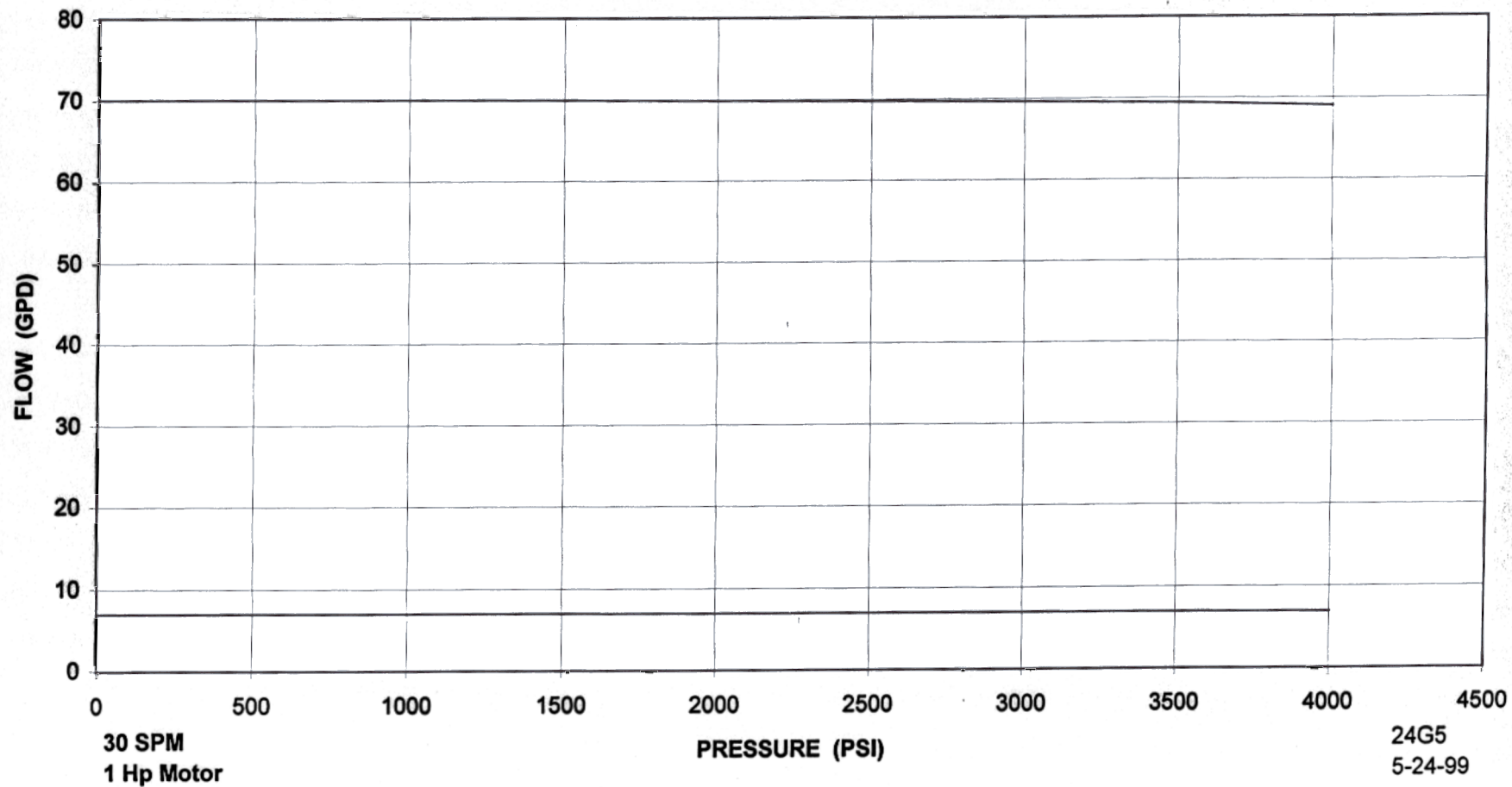
Fred C. Gilbert Co.
106 Norris Road
Bakersfield, Ca. 93308
www.fcgilbert.com
661-399-9569

Texsteam / Dresser 24F8 (1-1/4" Plgr) CAPACITY FLOW CHART



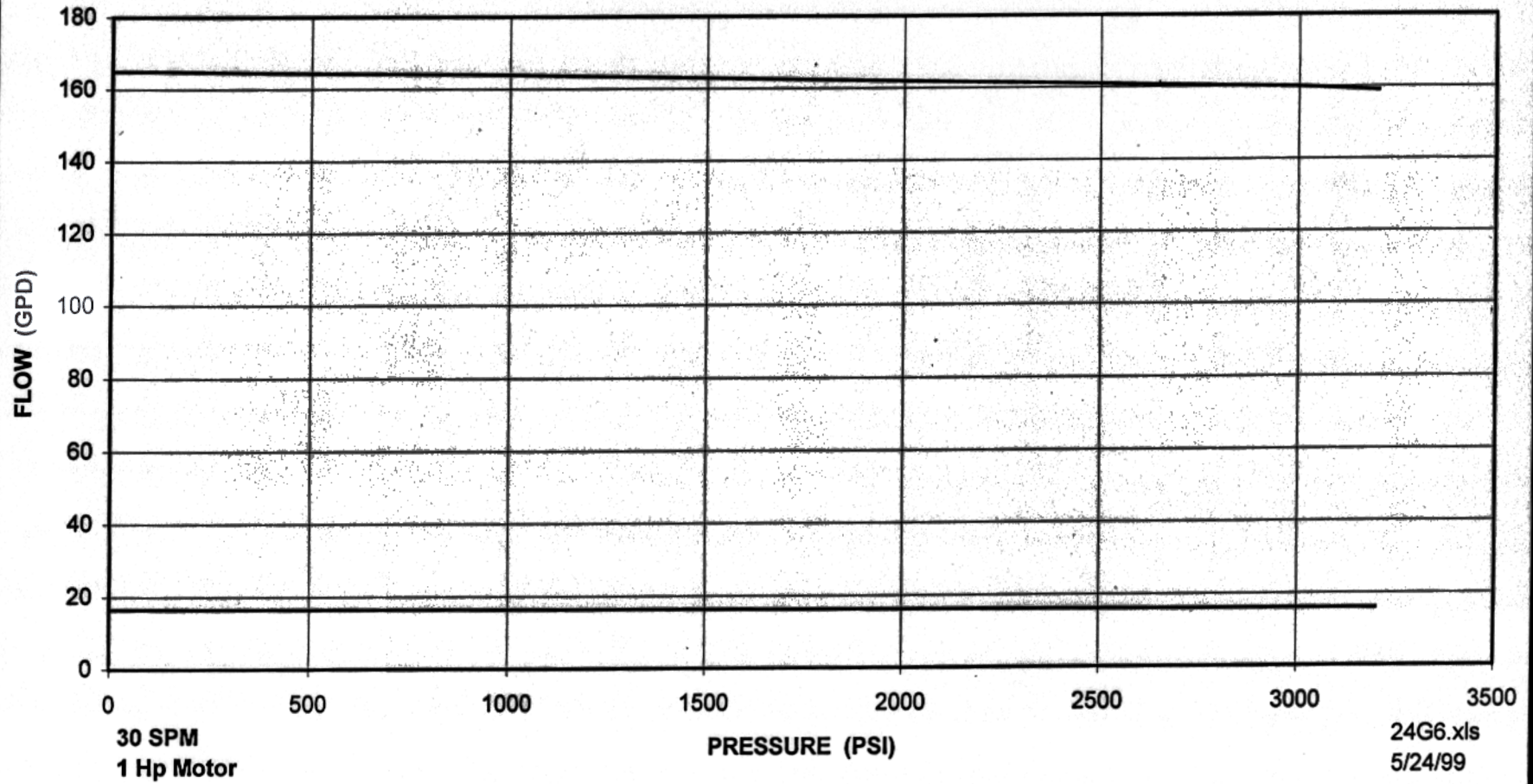
Fred C. Gilbert Co.
106 Norris Road
Bakersfield Ca. 93308
www.fcgilbert.com
661-399-9569

Texsteam / Dresser 24G5 (1/2" Plgr) CAPACITY FLOW CHART



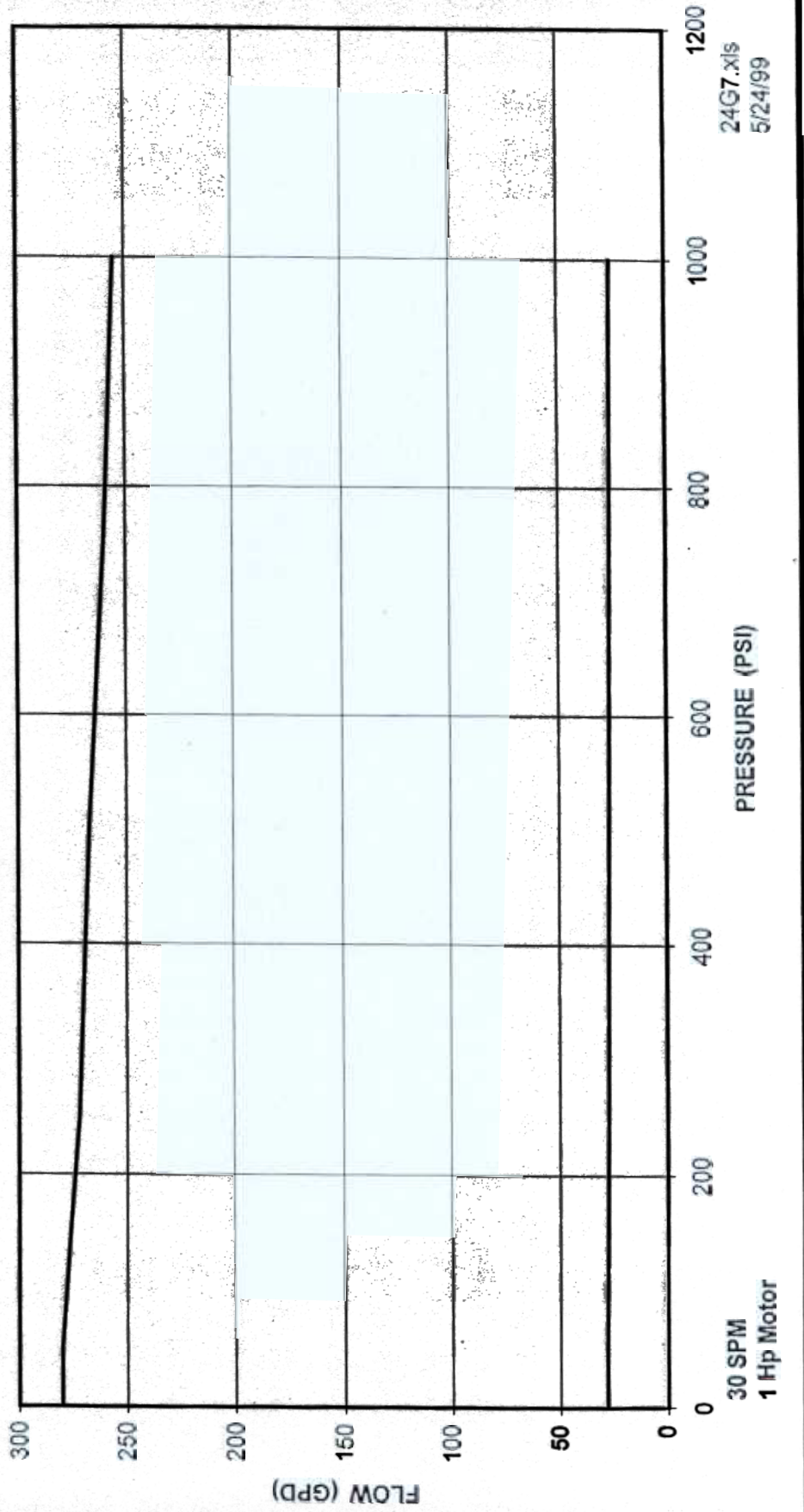
Fred C. Gilbert Co.
106 Norris Road
Bakersfield, Ca. 93308
www.fcgilbert.com
661-399-9569

Texsteam / Dresser 24G6 (3/4" Plgr) CAPACITY FLOW CHART



Fred C. Gilbert Co.
106 Norris Road
Bakersfield, Ca. 93308
www.fcgilbert.com
661-899-9569

Texsteam / Dresser 24G7 (1" Plgr) CAPACITY FLOW CHART



30 SPM
1 Hp Motor

24G7.XIS
5/24/99

Fred C. Gilbert Co.
106 Norris Road
Bakersfield, Ca 93308
www.fcgilbert.com
661-399-9569

Texsteam / Dresser 24G8 (1-1/4" Plgr) CAPACITY FLOW CHART

