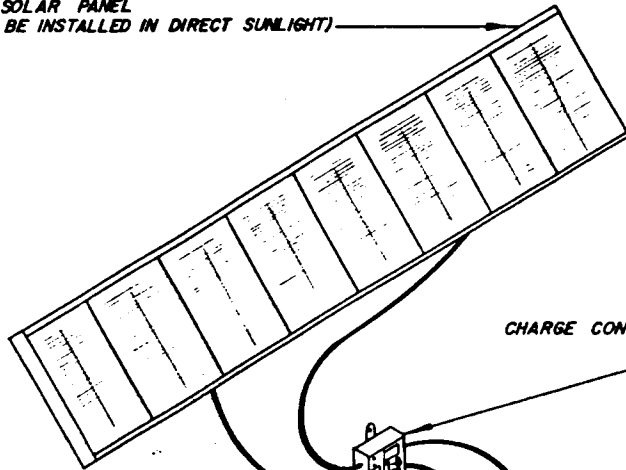
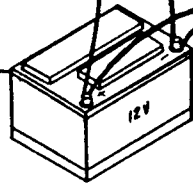


SOLAR PANEL
(TO BE INSTALLED IN DIRECT SUNLIGHT)

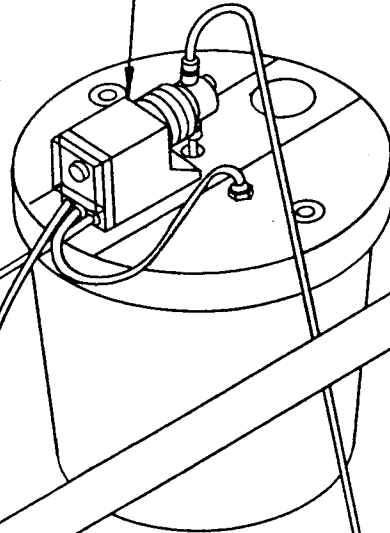


CHARGE CONTROL

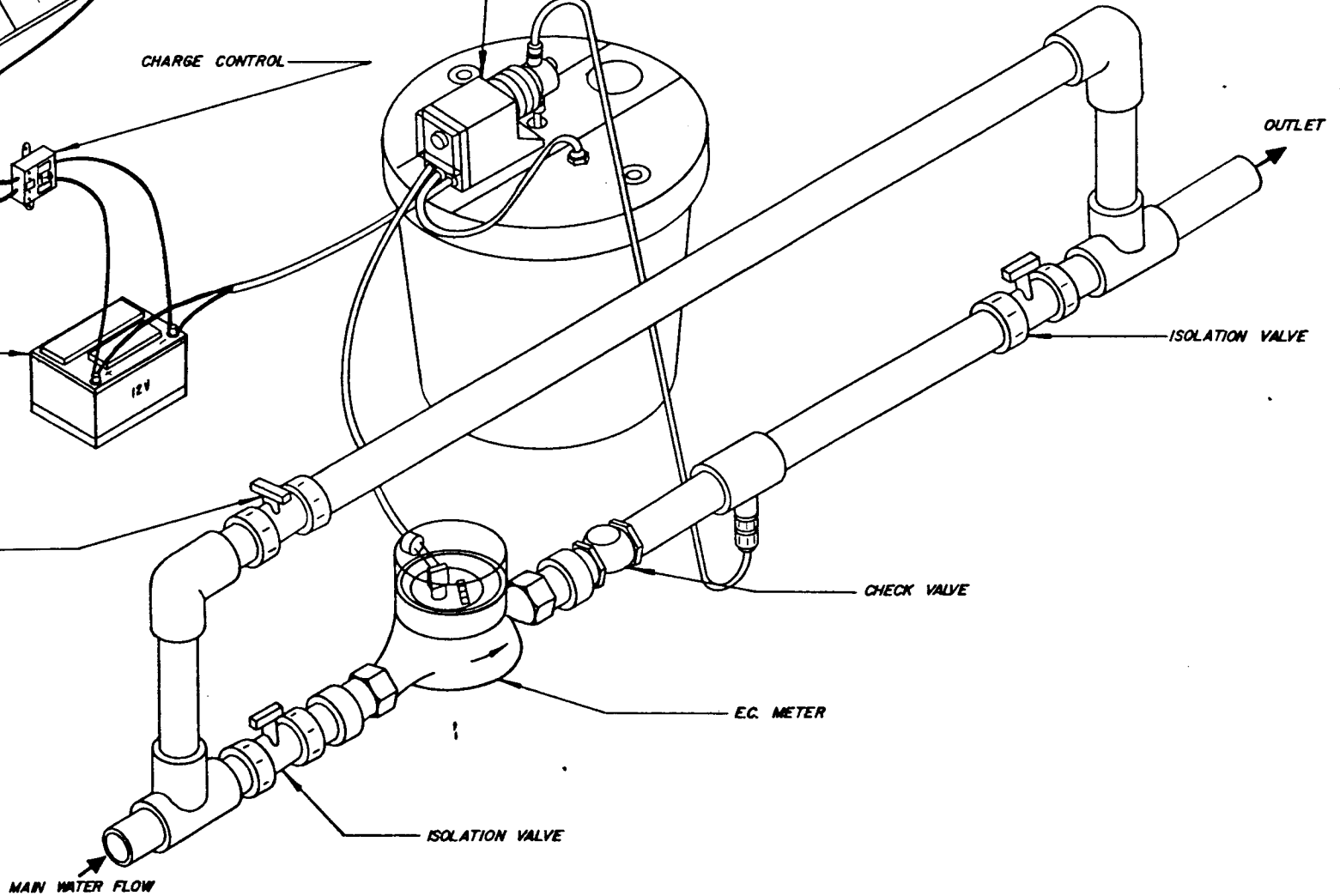
BATTERY



CHEMICAL FEED PUMP



BY PASS VALVE
NORMALLY CLOSED



OUTLET

ISOLATION VALVE

CHECK VALVE

E.C. METER

ISOLATION VALVE

MAIN WATER FLOW