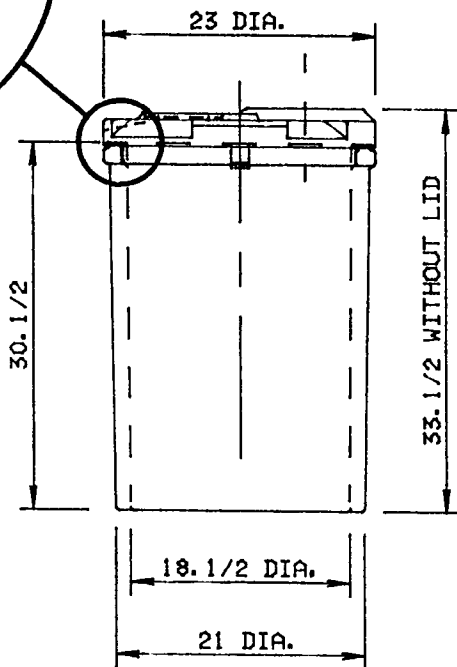
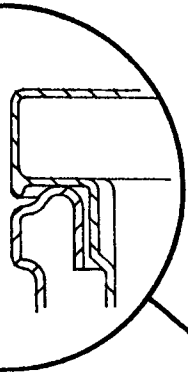
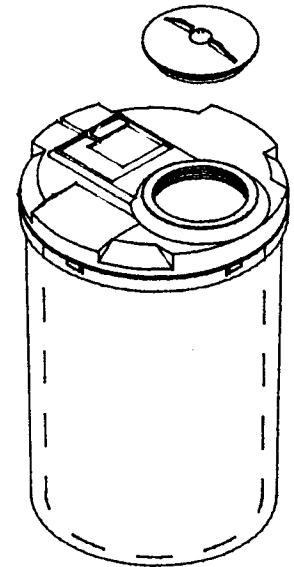
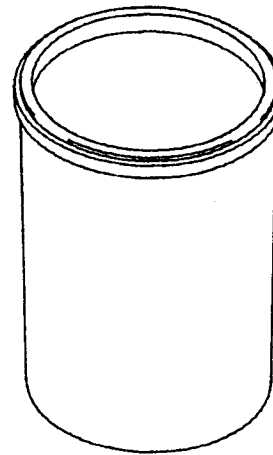
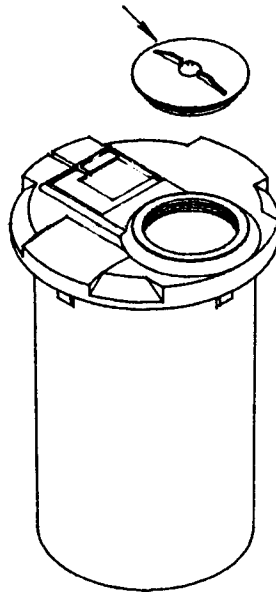


8" THREADED LID

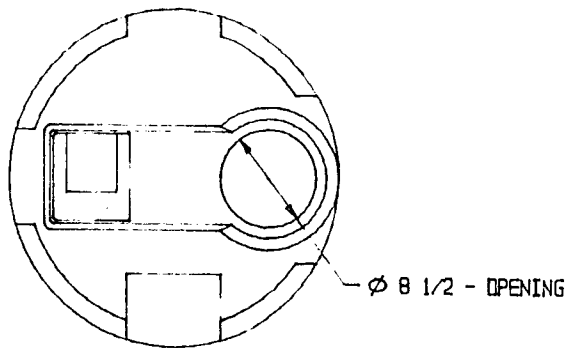


NOTE :

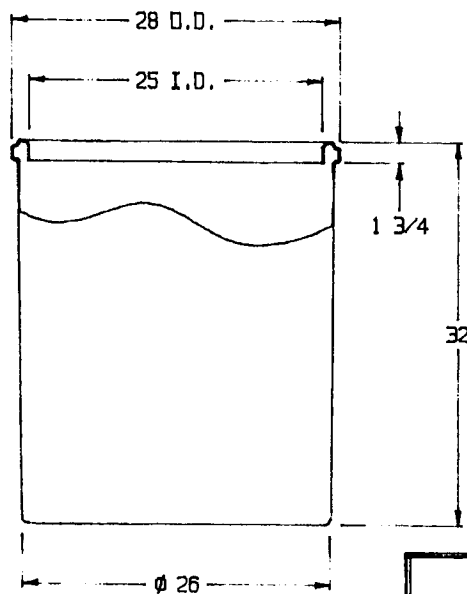
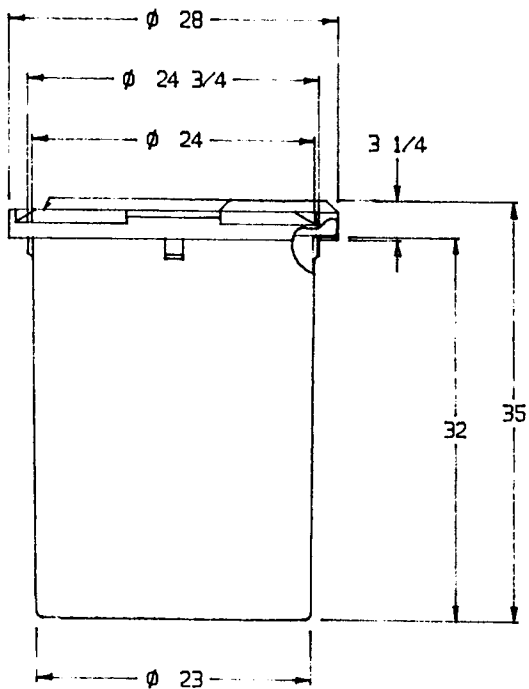
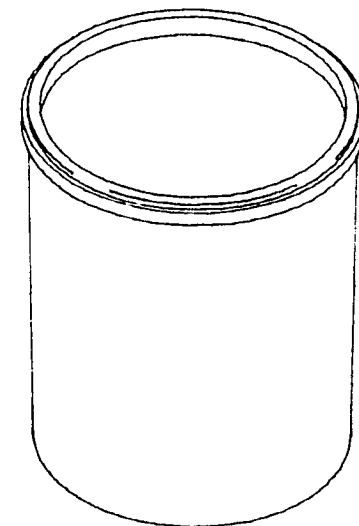
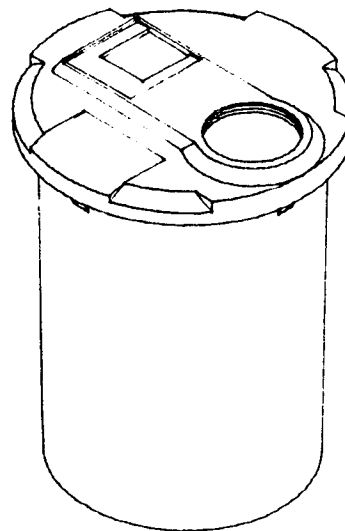
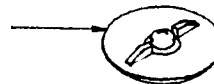
SEE DWG. S-1338 & S-1339 FOR DETAILS OF TANK & OVERFLOW BASIN.

35 GAL. VERT. TANK
AND 46 GAL OVERFLOW BASIN

DRAWN BY: Dpham	DESIGN BY:	DATE: 9-22-97	SCALE : 1 = 16	DWG. NO. S-1337
--------------------	------------	------------------	-------------------	---------------------------



8" THREADED LID



65 GAL. VERT. TANK AND
77 GAL. OVERFLOW BASIN

DRAWN BY:
Dphan

DESIGN BY:
Dphan

DATE:
02-26-98

SCALE:
1 = 18

DWG. No. I-1342

Data Sheet

Series P

Electronic Metering Pumps

Configuration Data

Model **P14** **1** - **351SI**

Manual Control

Speed (stroking frequency) fixed and stroke length manually adjustable.

P02 --- 0.20 GPH (0.79 l/h) --- 150 psi (10.3 Bar)

P03 --- 0.40 GPH (1.6 l/h) --- 110 psi (7.6 Bar)

P04 --- 0.58 GPH (2.2 l/h) --- 250 psi (17.3 Bar)

P05 --- 1.00 GPH (3.8 l/h) --- 110 psi (7.6 Bar)

P06 --- 2.00 GPH (7.6 l/h) --- 50 psi (3.5 Bar)

Dual Manual Control

Speed (stroking frequency) and stroke length manually adjustable.

P12 --- 0.20 GPH (0.79 l/h) --- 150 psi (10.3 Bar)

P13 --- 0.42 GPH (1.6 l/h) --- 110 psi (7.6 Bar)

P14 --- 0.58 GPH (2.2 l/h) --- 250 psi (17.3 Bar)

P15 --- 1.00 GPH (3.8 l/h) --- 110 psi (7.6 Bar)

P16 --- 2.00 GPH (7.6 l/h) --- 50 psi (3.5 Bar)

Voltage Code

1 ----- 120 VAC US Plug

2 ----- 240 VAC US Plug

3 ----- 220-240 VAC DIN Plug

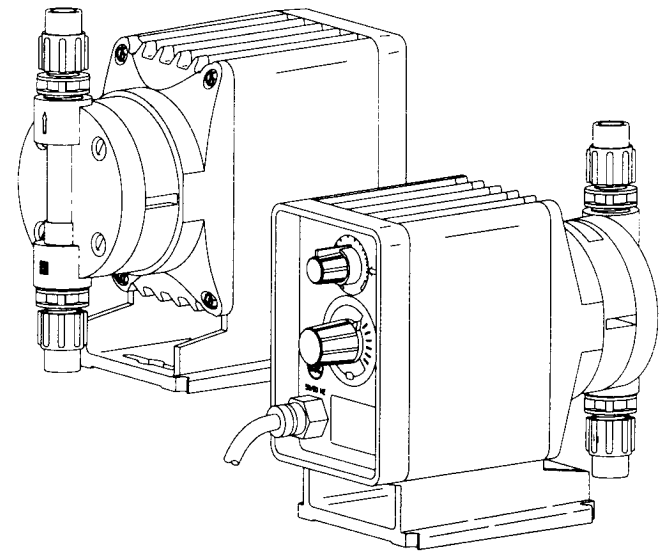
5 ----- 240-250 VAC, UK Plug

6 ----- 240-250 VAC, Aust./NZ Plug

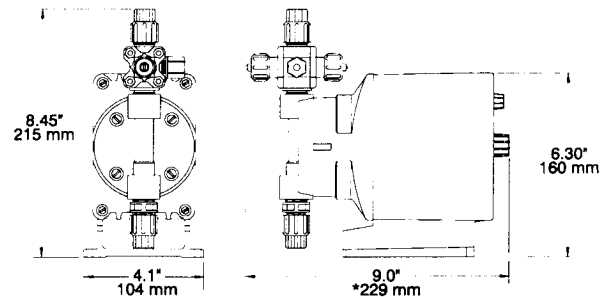
7 ----- 220 VAC, Swiss Plug

Liquid End

See next page for complete liquid end specifications and selection.



Dimensions



* Dimensions shown are maximums for largest available Liquid End.

Dimensions will vary depending on Liquid End selected.

Specifications

Series	Strokes Per Minute (Adjustable)		Stroke Length (Adjustable) Recommended Minimum	Average Input Power @ Max Speed	Shipping Weight
	Min	Max			
P02, P03	fixed - 60		30%	22 watts	7.6 lbs (3.5 kg)
P04	fixed - 100		20%		
P05					
P06					
P12, P13	.6	60	30%		
P14	1	100	20%		
P15					
P16					

Configuration Data & Materials of Construction

Drive Assembly	Liquid End No.	Size Code	Materials of Construction				Accessory	Tubing & Connections	
			Head & Fittings	Balls	Liquifram™	Check Valve		Discharge	Suction
P02 <input type="checkbox"/> -	350SI†	0.5	Acrylic / PGC™	Ceramic	Fluorofilm™	PGC™ / Polyprel®	4FV	PE .250" O.D.	
	351SI†	0.5	PGC™ / PGC™	Ceramic	Fluorofilm™	PGC™ / Polyprel®	4FV	PE .250" O.D.	
P04 <input type="checkbox"/> -	352SI†	0.5	PVDF / PVDF	Ceramic	Fluorofilm™	PVDF / Polyprel®	4FV	PE .250" O.D.	
P12 <input type="checkbox"/> -	353SI†	0.5	PVDF / PVDF	Ceramic	Fluorofilm™	PVDF / PTFE	4FV	PE .250" O.D.	
P14 <input type="checkbox"/> -	156	0.5	Acrylic / PP	316 S.S.	Fluorofilm™	Hypalon®		PE .5" O.D. Vinyl .938" O.D.	
	257	0.5	316 S.S.	316 S.S.	Fluorofilm™	316 S.S.		Pipe 1/4" NPT M	
P03 <input type="checkbox"/> -	390SI†	0.9	Acrylic / PGC™	Ceramic	Fluorofilm™	PGC™ / Polyprel®	4FV	PE .375" O.D.	
	391SI†	0.9	PGC™ / PGC™	Ceramic	Fluorofilm™	PGC™ / Polyprel®	4FV	PE .375" O.D.	
P05 <input type="checkbox"/> -	392SI†	0.9	PVDF / PVDF	Ceramic	Fluorofilm™	PVDF / Polyprel®	4FV	PE .375" O.D.	
P13 <input type="checkbox"/> -	393SI†	0.9	PVDF / PVDF	Ceramic	Fluorofilm™	PVDF / PTFE	4FV	PE .375" O.D.	
P15 <input type="checkbox"/> -	297	0.9	316 S.S.	316 S.S.	Fluorofilm™	316 S.S.		Pipe 1/4" NPT M	
	86	0.9	Acrylic / PP	316 S.S.	Fluorofilm™	Hypalon®		PE .5" O.D. Vinyl .938" O.D.	
P06 <input type="checkbox"/> -	360SI†	1.8	Acrylic / PGC™	Ceramic	Fluorofilm™	PGC™ / Polyprel®	4FV	PE .375" O.D.	
	361SI†	1.8	PGC™ / PGC™	Ceramic	Fluorofilm™	PGC™ / Polyprel®	4FV	PE .375" O.D.	
P16 <input type="checkbox"/> -	362SI†	1.8	PVDF / PVDF	Ceramic	Fluorofilm™	PVDF / Polyprel®	4FV	PE .375" O.D.	
	363SI†	1.8	PVDF / PVDF	Ceramic	Fluorofilm™	PVDF / PTFE	4FV	PE .375" O.D.	
	277	1.8	316 S.S.	316 S.S.	Fluorofilm™	316 S.S.		Pipe 1/4" NPT M	
	76	1.8	Acrylic / PP	316 S.S.	Fluorofilm™	Hypalon®		PE .5" O.D. Vinyl .938" O.D.	

See front page for voltage code specifications

† To specify 1/4" NPT male, change 'I' to 'P'. To specify black, UV resistant tubing, change 'I' to 'U'. To specify Bleed 4FV, change 'S' to 'B'. To specify 3FV, change 'S' to 'T'.

3FV indicates that the pump is equipped with an LMI Three Function Valve (pressure relief, priming aid, line drain).

4FV indicates that the pump is equipped with an LMI Four Function Valve. This diaphragm type, anti-syphon/pressure relief valve is installed on the pump head. It provides anti-syphon protection and aids in priming, even under pressure.

Fluorofilm™ is a copolymer of PTFE and PFA
Polyprel® is an elastomeric PTFE copolymer.

Polyprel is a registered trademark of Liquid Metronics, Inc.
Fluorofilm, Liquifram, PGC are trademarks of Liquid Metronics, Inc.
Hypalon is a registered trademark of E. I. du Pont de Nemours & Co., Inc.

Output Information

Series	Gallons per Hour		Liters per Hour		mL/cc per Minute		mL/cc per Stroke		Maximum Injection Pressure	
	Min	Max	Min	Max	Min	Max	Min	Max		
P02	0.063	0.21	0.237	0.79	3.94	13	0.07	0.22	150 psi	(10.3 Bar)
P03	0.125	0.42	0.473	1.6	7.89	26	0.13	0.44	110 psi	(7.6 Bar)
P04	0.117	0.58	0.442	2.2	7.36	37	0.07	0.37	250 psi	(17.3 Bar)
P05	0.200	1.0	0.757	3.8	12.62	63	0.13	0.63	110 psi	(7.6 Bar)
P06	0.400	2.0	1.510	7.6	25.23	126	0.25	1.26	50 psi	(3.5 Bar)
P12	0.001	0.21	0.002	0.79	0.04	13	0.07	0.22	150 psi	(10.3 Bar)
P13	0.001	0.42	0.005	1.6	0.08	27	0.13	0.44	110 psi	(7.6 Bar)
P14	0.001	0.58	0.004	2.2	0.07	37	0.07	0.37	250 psi	(17.3 Bar)
P15	0.002	1.0	0.008	3.8	0.13	63	0.13	0.63	110 psi	(7.6 Bar)
P16	0.004	2.0	0.015	7.6	0.25	126	0.25	1.26	50 psi	(3.5 Bar)